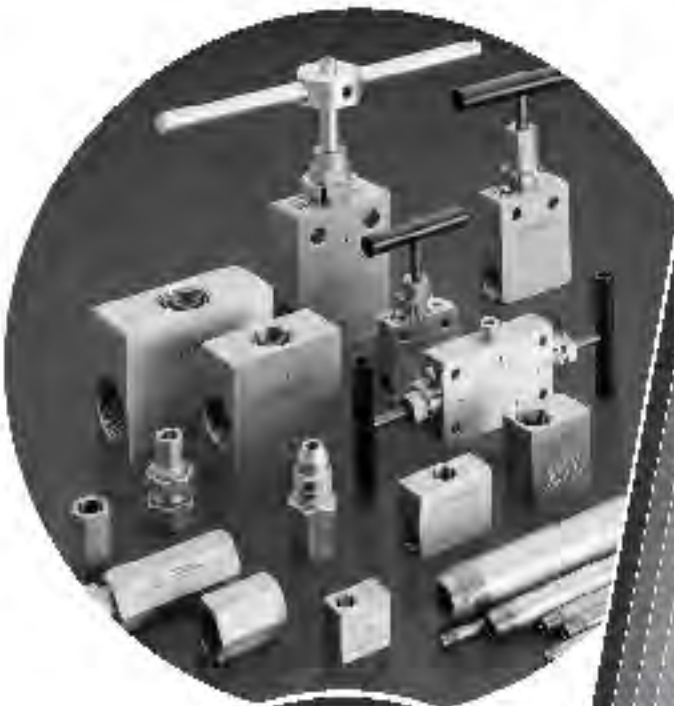


# High Pressure Equipment Company



*Price List  
Effective  
February 2017*



**ISO 9001**  
CERTIFIED

[www.highpressure.com](http://www.highpressure.com)  
e-mail: [sales@highpressure.com](mailto:sales@highpressure.com)



**Standard Terms**

F.O.B. — Erie, PA

Cash Terms: Net 30 Days

Credit Cards Accepted

1% interest per month to be charged on all past due accounts. High Pressure Equipment Company reserves the right to change any of the prices shown in this list, without notice.

Not all available spare parts are shown in this price list. If you are unable to locate a given part, please contact our customer service department.

**Quantity Discounts**

1-10 .....	Net
11-49 .....	Less 5%
50-99 .....	Less 10%
100+ .....	Consult factory

**Connection Components**

All VALVES AND FITTINGS (except nipples) include necessary Glands and Collars (sleeves) where applicable. When Glands and Collars are not required, specify on order and deduct the following amounts *per opening*:

AF1.....	\$4.20	LF4.....	\$4.20	HF2.....	\$4.20	XF4.....	\$4.20
AF2.....	4.20	LF6.....	5.30	HF4.....	4.20	XF6.....	6.30
AF4.....	5.30	LF9.....	6.30	HF6.....	5.30		
AF6.....	5.30	LF12.....	10.50	HF9.....	6.30		
		LF16.....	16.80	HF16.....	16.80		

**Tubing**

1/16" O.D. and 1/8" O.D. tubing can be coiled for shipment. All other sizes must be shipped straight. When ordering please note the following limitations and advise lengths desired:

U.P.S./Air Parcel Post/Federal Express.....	8 foot limit
Air Freight/Air Express.....	10 foot limit
Motor Freight.....	No limit

**Coning and Threading Charge**

1/8" to 9/16" Tubing.....	\$11.40/end
3/4" and 1" Tubing.....	26.50/end

**Autofrettage Charge**

\$ 38.40 per end includes coning and threading

**Certifications**

Note: Price includes shipment via first class mail. Other certifications available upon request. Consult factory for price information and availability.

Chemical & Physical Test Reports.....	\$20.40
Certificate of Test.....	20.40
Certificate of Conformance.....	20.40
Tubing Specification.....	20.40
SGS Certificate.....	20.40

## Low Pressure Valves, Fittings and Tubing

### Taper Seal Valves (Catalog Page 2.3)

15-11AF1.....	\$117.00
15-11AF2.....	118.00
10-11AF4.....	121.00
10-11AF6.....	129.00
15-12AF1.....	118.00
15-12AF2.....	119.00
10-12AF4.....	124.00
10-12AF6.....	129.00
15-13AF1.....	126.00
15-13AF2.....	149.00
10-13AF4.....	154.00
10-13AF6.....	158.00
15-14AF1.....	126.00
15-14AF2.....	146.00
10-14AF4.....	152.00
10-14AF6.....	158.00
15-15AF1.....	222.00
15-15AF2.....	225.00
10-15AF4.....	228.00
10-15AF6.....	239.00

### Taper Seal Fittings (Catalog Page 2.4)

#### Elbows

15-22AF1.....	\$39.40
15-22AF2.....	41.20
10-22AF4.....	54.00
10-22AF6.....	60.20

#### Tees

15-23AF1.....	\$50.00
15-23AF2.....	53.00
10-23AF4.....	69.60
10-23AF6.....	76.60

#### Crosses

15-24AF1.....	\$63.70
15-24AF2.....	66.50
10-24AF4.....	83.20
10-24AF6.....	93.60

### Taper Seal Bulkhead Couplings

15-21AF1-B.....	\$71.00
15-21AF2-B.....	74.10
10-21AF4-B.....	81.60
10-21AF6-B.....	84.60

### Taper Seal Caps

15-21AF1-C.....	\$24.40
15-21AF2-C.....	24.50
10-21AF4-C.....	25.10
10-21AF6-C.....	26.90

### Taper Seal Line Filters (Catalog Page 2.5)

15-51AF1.....	\$164.00
15-51AF2.....	164.00
10-51AF4.....	195.00
10-51AF6.....	203.00

### Taper Seal Ball Check Valves (Catalog Page 2.5)

15-41AF1.....	\$118.00
15-41AF2.....	117.00
10-41AF4.....	121.00
10-41AF6.....	132.00

### Taper Seal Soft Seat Check Valves (Catalog Page 2.5)

15-41AF1-T.....	\$132.00
15-41AF2-T.....	133.00
10-41AF4-T.....	129.00
10-41AF6-T.....	137.00

### Taper Seal Safety Heads (Catalog Page 2.6)

10-61AM4.....	\$109.00
10-61AM6.....	112.00
15-63AF1.....	158.00
15-63AF2.....	160.00
10-63AF4.....	165.00
10-63AF6.....	167.00
15-61AF1.....	134.00
15-61AF2.....	135.00
10-61AF4.....	137.00
10-61AF6.....	142.00

### Taper Seal Rupture Discs (Catalog Page 2.7)

1,500 to 5,000 psi.....	\$38.20
5,500 to 15,000 psi.....	49.80

### Taper Seal Connection Components (Catalog Page 2.A)

<b>Glands</b> .....	<b>316 S.S.</b>
15-2AM1.....	\$5.90
15-2AM2.....	6.50
10-2AM4.....	7.50
10-2AM6.....	8.40

### Sleeves **316 S.S.**

15-2A1.....	\$3.60
15-2A2.....	4.80
10-2A4.....	5.80
10-2A6.....	7.60

### Plugs **316 S.S.**

15-7AM1.....	\$5.30
15-7AM2.....	6.90
10-7AM4.....	7.80
10-7AM6.....	8.50

### Pipe Connection Valves (Catalog Page 6.10)

10-11NFA.....	\$111.00
10-11NFB.....	111.00
10-11NFC.....	112.00
10-11NFD.....	171.00
10-12NFA.....	112.00
10-12NFB.....	112.00
10-12NFC.....	113.00
10-12NFD.....	173.00

### Pipe Connection Valves (Catalog Page 6.11)

15F-11NFA.....	\$108.00
15F-11NFB.....	108.00
15F-11NFC.....	108.00
15F-11NFD.....	167.00
10F-11NFF.....	730.00
10F-11NFH.....	973.00
15F-12NFA.....	108.00
15F-12NFB.....	108.00
15F-12NFC.....	108.00
15F-12NFD.....	170.00
10F-12NFF.....	741.00
10F-12NFH.....	974.00

### NPT Fittings

#### Elbows

15-22NFA 1/8" NPT.....	\$47.00
15-22NFB 1/4" NPT.....	47.00
15-22NFC 3/8" NPT.....	47.00
15-22NFD 1/2" NPT.....	53.00
10-22NFF 3/4" NPT.....	129.00
10-22NFH 1" NPT.....	212.00

#### Tees

15-23NFA 1/8" NPT.....	\$66.70
15-23NFB 1/4" NPT.....	71.30
15-23NFC 3/8" NPT.....	71.30

(Continued on page 4)

### Taper Seal Tubing (Catalog Page 2.7)

Size	Material	Catalog No.	Price/Foot 0-75 Feet	Price/Foot 76-150 Feet	Price/Foot 151-500 Feet	Price/Foot 501-1000 Feet
1/16" O.D. x 0.006" I.D.	316 S.S.	15-9A1-006	\$6.85	\$6.15	\$5.70	\$5.55
1/16" O.D. x 0.030" I.D.	316 S.S.	15-9A1-030	6.30	5.95	5.65	5.20
1/8" O.D. x 0.060" I.D.	316 S.S.	15-9A2	6.90	6.55	6.00	5.70
1/8" O.D. x 0.060" I.D.	Hastelloy-C	15-9A2-HC276	28.00	26.00	24.00	21.00
1/4" O.D. x 1/8" I.D.	316 S.S.	10-9A4-316	11.90	11.55	10.90	10.50
1/4" O.D. x 1/8" I.D.	304 S.S.	10-9A4-304	10.05	9.60	9.30	8.60
3/8" O.D. x 1/4" I.D.	316 S.S.	10-9A6-316	16.95	16.45	16.00	15.40



# High Pressure Equipment

## Tees

15-23NFD 1/2" NPT	\$71.30
10-23NFF 3/4" NPT	171.00
10-23NFH 1" NPT	241.00

## Crosses

15-24NFA 1/8" NPT	\$74.40
15-24NFB 1/4" NPT	74.40
15-24NFC 3/8" NPT	74.40
15-24NFD 1/2" NPT	82.50
10-24NFF 3/4" NPT	222.00
10-24NFH 1" NPT	331.00

## Couplings

15-21NFA 1/8" NPT	\$53.00
15-21NFB 1/4" NPT	53.00
15-21NFC 3/8" NPT	53.00
15-21NFD 1/2" NPT	66.50
10-21NFF 3/4" NPT	116.00
10-21NFH 1" NPT	119.00

## Line Filters

15-51NFB 1/4" NPT	\$168.00
15-51NFC 3/8" NPT	168.00
15-51NFD 1/2" NPT	201.00

## Ball Check Valves

15-41NFB 1/4" NPT	\$152.00
15-41NFC 3/8" NPT	152.00
15-41NFD 1/2" NPT	182.00
10-41NFF 3/4" NPT	409.00
10-41NFH 1" NPT	590.00

## Soft Seat Check Valves

15-41NFB-T 1/4" NPT	\$156.00
15-41NFC-T 3/8" NPT	156.00
15-41NFD-T 1/2" NPT	158.00
10-41NFF-T 3/4" NPT	422.00
10-41NFH-T 1" NPT	669.00

## Safety Heads

15-61NMA 1/8" Male NPT	\$119.00
15-61NMB 1/4" Male NPT	119.00
15-61NMC 3/8" Male NPT	119.00
15-61NMD 1/2" Male NPT	143.00

## Hex Nipples

15-21NMANMA 1/8" Male NPT	\$45.80
15-21NMBNMB 1/4" Male NPT	45.80
15-21NMCNMC 3/8" Male NPT	45.80
15-21NMDNMD 1/2" Male NPT	45.80
10-21NMFNMF 3/4" NPT	74.70
10-21NMHNMH 1" NPT	119.00

## Medium Pressure Valves, Fittings & Tubing

### Medium Pressure Valves (Catalog Page 3.3)

20-11LF4	\$125.00
20-11LF6	138.00
20-11LF9	183.00
20-11LF12	763.00
20-11LF16	1,078.00
10-11LF16	1,096.00
10-11LF12	764.00
20-12LF4	127.00
20-12LF6	144.00
20-12LF9	183.00
20-12LF12	825.00
20-12LF16	1,132.00
10-12LF12	816.00
10-12LF16	1,134.00
20-13LF4	158.00
20-13LF6	167.00
20-13LF9	228.00
20-13LF12	900.00
20-13LF16	1,200.00
10-13LF12	910.00
10-13LF16	1,222.00
20-14LF4	167.00
20-14LF6	183.00
20-14LF9	236.00
20-14LF12	920.00
20-14LF16	1,230.00
10-14LF12	930.00
10-14LF16	1,249.00
20-15LF4	264.00
20-15LF6	283.00
20-15LF9	346.00
20-15LF12	1,728.00
20-15LF16	2,107.00
10-15LF12	1,807.00
10-15LF16	2,018.00
20-12LF4-R	244.00
20-12LF6-R	269.00
20-12LF9-R	324.00
20-12LF12-R	1,091.00
20-12LF16-R	1,312.00
10-12LF12-R	1,350.00
10-12LF16-R	1,372.00

### Medium Pressure Fittings (Catalog Page 3.4)

#### Elbows

20-22LF4	\$35.90
20-22LF6	46.70
20-22LF9	58.90
20-22LF12	129.00
20-22LF16	226.00
15-22-LF24	1,007.00

#### Tees

20-23LF4	\$47.00
20-23LF6	54.60
20-23LF9	79.80
20-23LF12	174.00
20-23LF16	266.00
15-23-LF24	1,181.00

#### Crosses

20-24LF4	\$57.80
20-24LF6	64.90
20-24LF9	102.00
20-24LF12	236.00
20-24LF16	361.00
15-24-LF24	1,416.00

### Medium Pressure Union Couplings (Catalog Page 3.5)

20-21LF4-U	\$58.70
20-21LF6-U	65.00
20-21LF9-U	87.40
20-21LF12-U	154.00
20-21LF16-U	209.00
15-21-LF24-U	700.00

### Medium Pressure Bulkhead Couplings (Catalog Page 3.5)

20-21LF4-B	\$84.70
20-21LF6-B	104.00
20-21LF9-B	135.00
20-21LF12-B	270.00
20-21LF16-B	395.00
15-21-LF24-B	1,178.00

### Medium Pressure Caps (Catalog Page 3.5)

20-21LF4-C	\$32.10
20-21LF6-C	35.10
20-21LF9-C	44.10
20-21LF12-C	63.70
20-21LF16-C	84.60
15-21LF24-C	367.00

### Medium Pressure Tubing (Catalog Page 3.9)

Size	Material	Catalog No.	Price/ Foot 0-75 Feet	Price/ Foot 76-150 Feet	Price/ Foot 151-500 Feet	Price/ Foot 501-1000 Feet
1/4" O.D. x 0.109" I.D.	316 S.S.	20-9M4-316	\$12.65	\$11.70	\$10.90	\$10.30
3/8" O.D. x 0.203" I.D.	316 S.S.	20-9M6-316	16.40	15.50	14.55	13.90
9/16" O.D. x 0.312" I.D.	304 S.S.	20-9M9-304	20.40	18.90	18.70	17.60
9/16" O.D. x 0.359" I.D.	316 S.S.	10-9M9-316	26.30	25.40	24.45	22.60
9/16" O.D. x 0.312" I.D.	316 S.S.	20-9M9-316	25.35	24.25	22.90	22.10
3/4" O.D. x 0.516" I.D.	316 S.S.	10-9M12-316	35.00	33.00	32.00	30.00
3/4" O.D. x 0.438" I.D.	316 S.S.	20-9M12-316	36.50	34.50	32.00	31.00
1" O.D. x 0.688" I.D.	316 S.S.	10-9M16-316	53.00	51.00	49.00	47.00
1" O.D. x 0.562" I.D.	316 S.S.	20-9M16-316	58.00	56.00	54.00	52.00
1.5" O.D. x 0.938" I.D.	316 S.S.	15-9M24-316	121.00	119.00	118.00	117.00

**Medium Pressure Line Filters  
(Catalog Page 3.6)**

20-51LF4	\$182.00
20-51LF6	193.00
20-51LF9	300.00

**Medium Pressure Ball Check Valves  
(Catalog Page 3.6)**

20-41LF4	\$119.00
20-41LF6	125.00
20-41LF9	170.00
20-41LF12	482.00
20-41LF16	766.00
10-41LF16	678.00

**Medium Pressure Soft Seat  
Check Valves  
(Catalog Page 3.6)**

20-41LF4-T	\$127.00
20-41LF6-T	137.00
20-41LF9-T	168.00
20-41LF12-T	480.00
20-41LF16-T	733.00
10-41LF16-T	678.00

**Medium Pressure Safety Heads  
(Catalog Page 3.7)**

20-61LM4	\$106.00
20-61LM6	111.00
20-61LM9	121.00
20-61LM12	259.00
20-61LM16	280.00

**Medium Pressure Rupture Discs  
(Catalog Page 3.7)**

1,500 to 5,000 psi	\$38.20
5,500 to 20,000 psi	49.80

**Medium Pressure Anti-Vibration  
Gland Assembly (Catalog Page 3.8)**

20-3LM4	\$45.50
20-3LM6	50.00
20-3LM9	60.10
20-3LM12	69.60
20-3LM16	116.00

**Component Parts  
Slotted Collet**

2-8769	\$13.20
2-8772	13.20
2-8775	29.60
2-8778	30.40
2-8781	62.90

**Collet Gland**

2-8770	\$17.80
2-8773	18.40
2-8776	13.20
2-8779	18.40
2-8782	22.60

**Collet Body**

2-8768	\$26.60
2-8771	22.60
2-8774	32.50
2-8777	37.10
2-8780	52.30

**Medium Pressure Nipples (316 S.S.)  
(Catalog Page 3.9)**

20-LM4-2.75	\$11.90
20-LM4-6	15.90
20-LM4-8	17.90
20-LM4-10	20.20
20-LM4-12	24.20
20-LM6-3	15.90
20-LM6-6	21.00
20-LM6-8	24.40
20-LM6-10	27.40
20-LM6-12	31.90
20-LM9-4	24.50
20-LM9-6	31.10
20-LM9-8	36.50
20-LM9-10	42.20
20-LM9-12	48.30
10-LM12-4	36.50
10-LM12-6	38.10
10-LM12-8	51.40
10-LM12-10	57.50
10-LM12-12	66.50
20-LM12-4	38.10
20-LM12-6	41.70
20-LM12-8	54.40
20-LM12-10	68.20
20-LM12-12	71.00
10-LM16-6	56.10
10-LM16-8	63.70
10-LM16-10	72.60
10-LM16-12	83.20
20-LM16-6	63.70
20-LM16-8	71.00
20-LM16-10	83.20
20-LM16-12	95.30
15-LM24-6	187.00
15-LM24-8	217.00
15-LM24-10	231.00
15-LM24-12	254.00

**Medium Pressure  
Connection Components  
(Catalog Page 3.A)**

<b>Glands</b>	<b>316 S.S.</b>
20-2LM4	\$5.00
20-2LM6	7.00
20-2LM9	10.30
20-2LM12	16.20
20-2LM16	25.70
15-2LM24	88.50

<b>Collars</b>	<b>316 S.S.</b>
20-2L4	\$3.60
20-2L6	4.20
20-2L9	7.00
20-2L12	8.40
20-2L16	14.70
15-2L24	60.70

<b>Plugs</b>	<b>316 S.S.</b>
20-7LM4	\$8.00
20-7LM6	9.00
20-7LM9	12.80

20-7LM12	\$19.20
20-7LM16	36.80
15-7LM24	115.00

**High Pressure Valves,  
Fittings & Tubing**

**High Pressure Valves  
(Catalog Page 4.3)**

30-11HF2	\$130.00
30-11HF4	120.00
30-11HF6	137.00
30-11HF9	182.00
30-11HF16	1,214.00
40-11HF9	207.00
30-12HF2	133.00
30-12HF4	120.00
30-12HF6	137.00
30-12HF9	182.00
30-12HF16	1,273.00
40-12HF9	207.00
30-13HF2	167.00
30-13HF4	144.00
30-13HF6	188.00
30-13HF9	251.00
30-13HF16	1,412.00
40-13HF9	286.00
30-14HF2	168.00
30-14HF4	145.00
30-14HF6	190.00
30-14HF9	252.00
30-14HF16	1,412.00
40-14HF9	287.00
30-15HF2	226.00
30-15HF4	201.00
30-15HF6	313.00
30-15HF9	323.00
30-15HF16	2,487.00
40-15HF9	417.00
30-12HF2-R	202.00
30-12HF4-R	209.00
30-12HF6-R	252.00
30-12HF9-R	309.00
30-12HF16-R	1,562.00
40-12HF9-R	364.00

**High Pressure Valves  
(Catalog Page 4.5)**

60-11HF2	\$163.00
60-11HF4	146.00
60-11HF6	166.00
60-11HF9	202.00
60-12HF2	163.00
60-12HF4	148.00
60-12HF6	168.00
60-12HF9	203.00
60-13HF2	182.00
60-13HF4	173.00
60-13HF6	213.00
60-13HF9	270.00



# High Pressure Equipment

60-14HF2	\$183.00
60-14HF4	179.00
60-14HF6	213.00
60-14HF9	273.00
60-15HF2	274.00
60-15HF4	273.00
60-15HF6	323.00
60-15HF9	400.00
60-12HF2-R	225.00
60-12HF4-R	242.00
60-12HF6-R	273.00
60-12HF9-R	355.00

### High Pressure Fittings (Catalog Page 4.6)

#### Elbows

60-22HF2	\$48.50
60-22HF4	41.30
60-22HF6	57.50
60-22HF9	81.60
40-22HF9	84.60
30-22HF16	252.00

#### Tees

60-23HF2	\$62.10
60-23HF4	58.90
60-23HF6	69.90
60-23HF9	108.00
40-23HF9	109.00
30-23HF16	303.00

#### Crosses

60-24HF2	\$77.00
60-24HF4	66.40
60-24HF6	85.80
60-24HF9	127.00
40-24HF9	130.00
30-24HF16	430.00

### High Pressure Union Couplings (Catalog Page 4.7)

60-21HF2-U	\$80.10
60-21HF4-U	66.50
60-21HF6-U	85.80
60-21HF9-U	106.00
40-21HF9-U	109.00
30-21HF16-U	259.00

### High Pressure Bulkhead Couplings (Catalog Page 4.7)

60-21HF2-B	\$105.00
60-21HF4-B	74.10
60-21HF6-B	92.20
60-21HF9-B	120.00
40-21HF9-B	127.00
30-21HF16-B	451.00

### High Pressure Caps (Catalog Page 4.7)

60-21HF2-C	\$30.40
60-21HF4-C	33.30
60-21HF6-C	51.40
60-21HF9-C	56.10
40-21HF9-C	59.10
30-21HF16-C	81.60

### High Pressure Line Filters (Catalog Page 4.8)

60F-51HF2	\$183.00
60F-51HF4	181.00
60F-51HF6	193.00
60F-51HF9	250.00
40F-51HF9	255.00

### High Pressure Ball Check Valves (Catalog Page 4.8)

60-41HF2	\$133.00
60-41HF4	125.00
60-41HF6	160.00
60-41HF9	193.00
40-41HF9	198.00
30-41HF16	798.00

### High Pressure Soft Seat Check Valves

#### (Catalog Page 4.8)

30-41HF2-T	\$143.00
30-41HF4-T	127.00
30-41HF6-T	145.00
30-41HF9-T	170.00
60-41HF4-T	152.00
60-41HF6-T	168.00
60-41HF9-T	202.00
40-41HF9-T	209.00
30-41HF16-T	808.00

### High Pressure Excess Surge Check Valves

#### (Catalog Page 4.9)

60-41HF9-E	\$221.00
Bushing 2-0888	52.00

### High Pressure Rupture Discs (Catalog Page 4.9)

1,500 to 5,000 psi	\$38.20
5,500 to 65,000 psi	49.80

### High Pressure Safety Heads (Catalog Page 4.10)

60-61HM4	\$107.00
60-61HM6	107.00
60-61HM9	127.00
40-61HM9	129.00
30-61HM16	300.00
60-63HF2	159.00
60-63HF4	159.00
60-63HF6	160.00
60-63HF9	184.00
40-63HF9	190.00
60-61HF2	133.00
60-61HF4	133.00
60-61HF6	134.00
60-61HF9	164.00
40-61HF9	166.00

### High Pressure Anti-Vibration (Catalog Page 4.11)

#### Gland Assembly

60-3HM4	\$19.80
60-3HM6	19.30
60-3HM9	28.90

#### Component Parts

##### Slotted Collet

2-8784	\$14.10
2-8786	11.40
2-8788	11.80

##### Collet Gland

2-8783	\$11.20
2-8785	16.00
2-8787	17.20

##### Collar

60-2H4	\$3.60
60-2H6	4.60
60-2H9	6.50

### High Pressure Tubing (Catalog Page 4.12)

Size	Material	Catalog No.	Price/Foot 0-75 Feet	Price/Foot 76-150 Feet	Price/Foot 151-500 Feet	Price/Foot 501-1000 Feet
1/8" O.D. x .020" I.D.	316 S.S.	60-9H2	\$8.70	\$8.40	\$7.95	\$7.60
1/8" O.D. x .040" I.D.	316 S.S.	30-9H2	8.45	8.10	7.55	7.20
1/4" O.D. x .083" I.D.	316 S.S.	60-9H4-316	13.10	11.00	10.40	10.00
1/4" O.D. x .083" I.D.	304 S.S.	60-9H4-304	10.00	9.70	9.10	8.80
1/4" O.D. x .083" I.D.	HC276	60-9H4-HC276	48.00	46.00	44.00	42.00
3/8" O.D. x 1/8" I.D.	316 S.S.	60-9H6-316	19.10	18.40	17.70	17.40
3/8" O.D. x 1/8" I.D.	304 S.S.	60-9H6-304	14.70	14.10	13.55	13.00
9/16" O.D. x 1/4" I.D.	316 S.S.	40-9H9-316	26.80	25.10	24.00	23.10
9/16" O.D. x 1/4" I.D.	304 S.S.	40-9H9-304	23.00	21.80	21.00	19.90
9/16" O.D. x 3/16" I.D.	316 S.S.	60-9H9-316	33.60	31.70	30.90	28.75
9/16" O.D. x 3/16" I.D.	316 SGS	60-9H9-316-SGS	28.85	28.00	27.10	26.15
9/16" O.D. x 3/16" I.D.	304 S.S.	60-9H9-304	24.00	22.00	21.00	20.00
1" O.D. x .437" I.D.	316 S.S.	30-9H16-316	58.00	56.00	53.00	49.00



**High Pressure Nipples (316 S.S.)  
(Catalog Page 4.12)**

60-HM2-2	\$10.20
60-HM2-3	11.10
60-HM2-4	12.10
60-HM2-6	14.30
60-HM2-9	16.40
60-HM2-12	18.70
30-HM2-2	10.20
30-HM2-3	11.10
30-HM2-4	12.10
30-HM2-6	14.30
30-HM2-9	16.40
30-HM2-12	18.40
60-HM4-2.75	11.90
60-HM4-6	16.40
60-HM4-8	18.70
60-HM4-10	22.40
60-HM4-12	26.20
60-HM6-3	16.20
60-HM6-6	22.30
60-HM6-8	25.30
60-HM6-10	28.20
60-HM6-12	32.10
60-HM9-4	25.30
60-HM9-6	32.80
60-HM9-8	35.90
60-HM9-10	42.70
60-HM9-12	50.00
40-HM9-4	27.40
40-HM9-6	33.30
40-HM9-8	39.40
40-HM9-10	45.30
40-HM9-12	51.40
30-HM16-6	64.90
30-HM16-8	74.10
30-HM16-10	83.20
30-HM16-12	98.20

**High Pressure Nipples (304 S.S.)  
(Catalog Page 4.12)**

60-HM4-2.75	\$11.90
60-HM4-6	16.40
60-HM4-8	18.70
60-HM4-10	22.40
60-HM4-12	26.20
60-HM6-3	16.20
60-HM6-6	22.30
60-HM6-8	25.30
60-HM6-10	28.20
60-HM6-12	32.10

60-HM9-4	\$25.30
60-HM9-6	32.80
60-HM9-8	35.90
60-HM9-10	42.70
60-HM9-12	50.00

**High Pressure Connection  
Components  
(Catalog Page 4.A)**

**Glands**

60-2HM2	\$7.30
60-2HM4	7.30
60-2HM6	8.70
60-2HM9	13.50
30-2HM16	27.80

**Collars**

60-2H2	\$3.60
60-2H4	3.60
60-2H6	4.60
60-2H9	6.50
30-2H16	16.40

**Plugs**

60-7HM2	\$6.40
60-7HM4	6.40
60-7HM6	8.70
60-7HM9	11.70
40-7HM9	11.70
30-7HM16	38.40

**Ultra High Pressure  
Valves, Fittings &  
Tubing**

**Ultra High Pressure Valves  
(Catalog Pages 5.2-5.3)**

100-11XF4	\$500.00
100-12XF4	500.00
100-13XF4	594.00
100-14XF4	594.00
100-15XF4	1112.00
100-12XF4-R	736.00
150-11XF6	624.00
150-12XF6	624.00
150-13XF6	702.00
150-14XF6	707.00
150-15XF6	1201.00
150-12XF6-R	838.00

**Ultra High Pressure  
Check Valves  
(Catalog Page 5.4)**

100-41XF4	\$313.00
150-41XF6	529.00

**Ultra High Pressure - Safety Heads**

100-61XF4	\$529.00
150-61XF6	639.00

**Ultra High Pressure Fittings  
(Catalog Page 5.4)**

**Elbows**

100-22XF4	\$116.00
150-22XF6	160.00

**Tees**

100-23XF4	\$158.00
150-23XF6	210.00

**Crosses**

100-24XF4	\$181.00
150-24XF6	228.00

**Bulkheads**

100-21XF4-B	\$170.00
150-21XF6-B	228.00

**Caps**

100-21XF4-C	\$32.10
150-21XF6-C	54.40

**Ultra High Pressure  
Nipples (316 S.S.)  
(Catalog Page 5.5)**

100-XM4-2.75	\$15.20
100-XM4-6	20.10
100-XM4-8	22.90
100-XM4-10	24.50
100-XM4-12	25.90

**Ultra High Pressure  
Nipples (304 S.S.)  
(Catalog Page 5.5)**

100-XM4-2.75	\$13.90
100-XM4-6	16.80
100-XM4-8	20.10
100-XM4-10	21.40
100-XM4-12	22.90
150-XM6-4	28.90
150-XM6-6	35.10
150-XM6-8	42.50
150-XM6-10	50.00
150-XM6-12	56.10

**Ultra High Pressure  
Connection Components  
(Catalog Page 5.A)**

**Glands**

100-2XM4	\$10.40
150-2XM6	14.00

**Collars**

100-2X4	\$5.70
150-2X6	8.20

**Plugs**

100-7XM4	\$11.90
150-7XM6	15.10

<b>Ultra High Pressure Tubing (Catalog Page 5.5)</b>				<b>Price/Foot</b>	<b>Price/Foot</b>	<b>Price/Foot</b>	<b>Price/Foot</b>
<b>Size</b>	<b>Material</b>	<b>Catalog No.</b>		<b>0-75 Feet</b>	<b>76-150 Feet</b>	<b>151-500 Feet</b>	<b>501-1000 Feet</b>
1/4" O.D. x 1/16" I.D.	316 S.S.	100-9X4-316		\$15.60	\$15.20	\$14.70	\$14.15
1/4" O.D. x 1/16" I.D.	304 S.S.	100-9X4-304		13.40	12.60	12.00	11.45
3/8" O.D. x 1/16" I.D.	304 S.S.	150-9X6		31.00	28.00	26.00	24.00



## Specialty Valves

### Two Way Ball Valves

(Catalog Page 6.2)

15-16AF1	\$259.00
15-16AF2	266.00
10-16AF4	272.00
10-16AF6	264.00
20-16LF4	264.00
20-16LF6	266.00
20-16LF9	272.00
20-16HF2	264.00
20-16HF4	264.00
20-16HF6	266.00
20-16HF9	274.00
15-16NFA	230.00
15-16NFB	230.00
15-16NFC	230.00
15-16NFD	230.00

### Trunion Style Two Way Ball Valves

(Catalog Page 6.3)

#### .187 Orifice

15-71AF1	\$321.00
15-71AF2	321.00
10-71AF4	321.00
10-71AF6	321.00
20-71LF4	321.00
20-71LF6	321.00
20-71LF9	321.00
20-71HF4	321.00
20-71HF6	321.00
20-71HF9	321.00
15-71NFA	321.00
15-71NFB	321.00
15-71NFC	321.00

#### 0.375 Orifice

10-74AF6	\$456.00
15-74LF9	456.00
15-74LF12	456.00
15-74LF16	456.00
15-74NFB	456.00
15-74NFC	456.00
15-74NFD	456.00

#### .500 Orifice

10-80LF12	\$1,197.00
10-80LF16	1,197.00
10-80NFF	1,197.00
10-80NFH	1,197.00

### Trunion Style Three Way Ball Valves

(Catalog Page 6.4)

#### .187 Orifice (90°)

15-73AF1	\$352.00
15-73AF2	352.00
10-73AF4	352.00
10-73AF6	352.00
20-73LF4	352.00
20-73LF6	352.00

20-73LF9	\$352.00
20-73HF4	352.00
20-73HF6	352.00
20-73HF9	352.00
15-73NFA	352.00
15-73NFB	352.00
15-73NFC	352.00

#### .187 Orifice (180°)

15-72AF1	\$352.00
15-72AF2	352.00
10-72AF4	352.00
10-72AF6	352.00
20-72LF4	352.00
20-72LF6	352.00
20-72LF9	352.00
20-72HF4	352.00
20-72HF6	352.00
20-72HF9	352.00
15-72NFA	352.00
15-72NFB	352.00
15-72NFC	352.00

### Trunion Style Three Way Ball Valves

(Catalog Page 6.4)

#### .375 Orifice (90°)

10-76AF6	\$467.00
15-76LF9	467.00
15-76LF12	467.00
15-76LF16	467.00
15-76NFB	467.00
15-76NFC	467.00
15-76NFD	467.00

#### .500 Orifice (90)

10-82LF12	\$1,290.00
10-82LF16	1,290.00
10-82NFF	1,290.00
10-82NFH	1,290.00

#### .375 Orifice (180°)

10-75AF6	\$467.00
15-75LF9	467.00
15-75LF12	467.00
15-75LF16	467.00
15-75NFB	467.00
15-75NFC	467.00
15-75NFD	467.00

#### .500 Orifice (180)

10-81LF12	\$1,290.00
10-81LF16	1,290.00
10-81NFF	1,290.00
10-81NFH	1,290.00

### Mini Three Way Ball Valves

10-77LF4	\$188.00
10-77LF6	188.00
10-77NFB	188.00
10-77NFC	188.00

## High Temperature Valves

(Suffix "HT")

(Catalog Page 6.6)

Add \$202.00 to price of valves in the 20,000 and 30,000 psi series. Except HF16, LF12 and LF16 series and \$435.00 to price of valves.

## Micro Control Metering Valves

(Suffix "V")

(Catalog Page 6.7)

Add \$267.00 to price of standard 60,000 psi series.

## Metering Tip Valve

(Suffix "MTS")

(Catalog Page 6.7)

Add \$63.20 to price of standard 60,000 psi series.

## Relief Valves

(Catalog Page 6.8)

4-2633	\$668.00
HiP-10RV	288.00
HiP-20RV	564.00

## Male Bottom Connection Valves

(Catalog Page 6.9)

2-7928A	\$165.00
2-8144A	173.00
2-7602A	165.00
2-7569A	173.00
15-12NMAAF2	165.00
15-12NMBAF2	165.00
2-7565A	286.00
2-7927A	229.00
2-8039A	236.00
2-7604A	230.00
2-7603A	235.00

\* Rupture Discs (when required) should be ordered separately.

## Block and Bleed Needle Valves

(Catalog Page 6.10)

15-SBB-NFB	\$398.00
15-SBB-NFC	434.00
15-SBB-NFD	446.00
20-SBB-LF4	410.00
20-SBB-LF6	428.00
20-SBB-LF9	452.00

## Double Block and Bleed Valves

(Catalog Page 6.10-6.11)

20-DBB-LF4	\$748.00
20-DBB-LF6	770.00
20-DBB-LF9	828.00
20-DBB-LF12	1,432.00
20-DBB-LF16	1,504.00
15-DBB-BV-LF6	2,893.00
15-DBB-BV-LF9	2,893.00
15-DBB-BV-LF12	2,893.00
15-DBB-BV-NFB	2,893.00
15-DBB-BV-NFC	2,893.00
15-DBB-BV-NFD	2,893.00



## Air Operated Valves

### Hippo Air Actuators (Catalog Pages 7.1.5 and 7.3.5)

Mini Hippo Normally Open	\$358.00
Mini Hippo Normally Closed	384.00
MPO-NO Normally Open	512.00
MPO-NC Normally Closed	525.00
HPO-NO Normally Open	725.00
HPO-NC Normally Closed	735.00
EHPO-NO Normally Open	3,487.00
EHPO-NC Normally Closed	3,487.00

### Hippo Air & Ball Valve Actuator (Catalog Page 7.2 and 6.5)

Add the following to price of a standard valve.

Normally Open	Add	\$398.00
Normally Closed	Add	423.00
TSR4 Ball Valve	Add	468.00
TDR4 Ball Valve	Add	468.00
TSR8 Ball Valve	Add	468.00
TDA8 Ball Valve	Add	468.00
TSR20 Ball Valve	Add	770.00

### Remarco Valves (Catalog Page 7.3)

D-20R-12LF9R	\$1,276.00
D-30R-12HF4R	902.00
D-30R-12HF6R	902.00
D-30R-12HF9R	902.00
D-10R-12LF9R	902.00
D-60R-12HF4R	902.00
D-60R-12HF6R	902.00
D-60R-12HF9R	959.00
D-100R-12XF4R	1,177.00
D-100R-12XF6R	1,199.00
SD-20R-12LF9R	1,420.00
SD-30R-12HF4R	1,048.00
SD-30R-12HF6R	1,048.00
SD-30R-12HF9R	1,108.00
SD-10R-12LF9R	1,108.00
SD-60R-12HF4R	1,048.00
SD-60R-12HF6R	1,048.00
SD-60R-12HF9R	1,108.00
SD-100R-12XF4R	1,320.00
SD-100R-12XF6R	1,341.00

### Remetco Valves (Catalog Page 7.4)

10M-12HF9R	\$3,850.00
30M-12HF9R	3,849.00
60M-12HF9R	3,850.00
RVP - (Remote Valve Panel)	673.00

## Accessories

### Adapters: Female to Male (Catalog Pages 8.8 - 8.14)

15-21AF1AM1	\$53.80
15-21AF1AM2	53.70
10-21AF1AM4	53.70
10-21AF1AM6	66.40
15-21AF2AM1	52.40
10-21AF2AM4	59.50
10-21AF2AM6	66.40
10-21AF4AM2	62.20
10-21AF4AM6	62.20
10-21AF6AM2	65.60
10-21AF6AM4	64.00
15-21AF1HM2	56.80
15-21AF1HM4	56.80
15-21AF1HM6	70.50
15-21AF1HM9	92.00
15-21AF2HM2	60.20
15-21AF2HM4	60.20
15-21AF2HM6	64.40
15-21AF2HM9	64.40
10-21AF4HM2	44.80
10-21AF4HM4	41.90
10-21AF4HM6	44.80
10-21AF4HM9	52.50
10-21AF6HM2	52.80
10-21AF6HM4	46.60
10-21AF6HM6	47.70
10-21AF6HM9	56.80
10-21XF6AM4	129.00
15-21AF1NMA	40.00
15-21AF1NMB	40.00
15-21AF1NMC	40.00
15-21AF1NMD	40.00
10-21AF1NMF	61.60
10-21AF1NMH	111.00
15-21AF2NMA	39.90
15-21AF2NMB	39.90
15-21AF2NMC	39.90
15-21AF2NMD	39.90
10-21AF2NMF	62.60
10-21AF2NMH	76.40
10-21AF4NMA	37.30
10-21AF4NMB	37.30
10-21AF4NMC	37.30
10-21AF4NMD	37.30
10-21AF4NMF	62.60
10-21AF4NMH	79.30
10-21AF6NMA	38.90
10-21AF6NMB	38.90
10-21AF6NMC	38.90
10-21AF6NMD	38.90
10-21AF6NMF	62.20
10-21AF6NMH	79.30
20-21LF4LM6	41.30

20-21LF4LM9	\$43.00
20-21LF6LM4	45.00
20-21LF6LM6	64.70
20-21LF6LM9	48.30
20-21LF9LM4	51.40
20-21LF9LM6	51.40
20-21LF12LM4	106.00
20-21LF12LM6	120.00
20-21LF12LM9	126.00
20-21LF12LM16	133.00
20-21LF4LM12	92.20
20-21LF6LM12	89.10
20-21LF9LM12	94.10
20-21LF16LM4	121.00
20-21LF16LM6	130.00
20-21LF16LM9	148.00
20-21LF16LM12	135.00
20-21LF4LM16	96.60
20-21LF6LM16	127.00
20-21LF9LM16	130.00
20-21LF4HM2	39.40
20-21LF4HM4	45.30
20-21LF4HM6	45.30
20-21LF4HM9	47.00
20-21LF4HM16	83.20
20-21LF6HM4	41.70
20-21LF6HM6	51.40
20-21LF6HM9	53.90
20-21LF9HM4	52.30
20-21LF9HM6	53.00
20-21LF9HM9	53.30
20-21LF9XM4	96.60
20-21LF12HM4	106.00
20-21LF12HM6	118.00
20-21LF12HM9	127.00
20-21LF16HM4	148.00
20-21LF16HM6	148.00
20-21LF16HM9	155.00
20-21HF2LM4	42.50
20-21HF4LM4	42.50
20-21HF4LM6	43.40
20-21HF4LM9	45.00
20-21HF6LM4	50.00
20-21HF6LM6	50.30
20-21HF6LM9	52.80
20-21HF9LM4	56.10
20-21HF9LM6	56.10
20-21HF9LM9	59.10
20-21HF4LM12	92.20
20-21HF6LM12	116.00
20-21HF9LM12	133.00
20-21HF4LM16	120.00
20-21HF6LM16	137.00
20-21HF9LM16	128.00
30-21HF4HM16	141.00
30-21HF6HM16	151.00
30-21HF9HM16	144.00



# High Pressure Equipment

20-21LF4NMA	\$42.50	30-21HF2NMD	\$51.40	10-21LF4AM6	\$49.40
20-21LF4NMB	33.30	10-21HF2NMF	83.20	15-21LF6AM2	49.60
20-21LF4NMC	35.10	10-21HF2NMH	98.20	10-21LF6AM4	50.90
20-21LF4NMD	35.80	30-21HF4NMA	33.30	10-21LF6AM6	50.90
10-21LF4NMF	71.00	30-21HF4NMB	33.80	15-21LF9AM2	55.00
10-21LF4NMH	77.00	30-21HF4NMC	34.70	10-21LF9AM4	56.30
20-21LF6NMA	42.50	30-21HF4NMD	36.70	10-21LF9AM6	56.30
20-21LF6NMB	36.10	10-21HF4NMF	66.50	15-21AF1LM4	50.90
20-21LF6NMC	39.40	10-21HF4NMH	95.30	15-21AF1LM6	55.50
20-21LF6NMD	40.90	30-21HF6NMA	42.50	15-21AF1LM9	59.40
10-21LF6NMF	72.60	30-21HF6NMB	39.40	15-21AF2LM4	56.30
10-21LF6NMH	75.10	30-21HF6NMC	44.10	15-21AF2LM6	58.40
20-21LF9NMA	56.10	30-21HF6NMD	44.10	15-21AF2LM9	66.40
20-21LF9NMB	51.40	10-21HF6NMF	66.50	10-21AF4LM4	62.60
20-21LF9NMC	53.00	10-21HF6NMH	89.00	10-21AF4LM6	65.90
20-21LF9NMD	54.00	30-21HF9NMA	66.50	10-21AF4LM9	74.00
10-21LF9NMF	62.10	30-21HF9NMB	59.10	10-21AF6LM4	64.40
10-21LF9NMH	69.90	30-21HF9NMC	59.10	10-21AF6LM6	67.30
20-21LF12NMA	119.00	30-21HF9NMD	59.10	10-21AF6LM9	76.00
20-21LF12NMB	119.00	10-21HF9NMF	72.60	15-21NFAAM2	46.40
20-21LF12NMC	116.00	10-21HF9NMH	95.30	15-21NFBAM2	46.40
20-21LF12NMD	102.00	30-21NFAHM2	40.60	15-21NFCAM2	46.40
10-21LF12NMF	120.00	30-21NFBHM2	41.00	10-21NFAAM4	38.80
10-21LF12NMH	130.00	30-21NFCHM2	40.90	10-21NFBAM4	38.80
20-21LF16NMA	160.00	30-21NFAHM4	28.70	10-21NFCAM4	42.00
20-21LF16NMB	154.00	30-21NFBHM4	31.00	10-21NFDAM4	45.60
20-21LF16NMC	137.00	30-21NFCHM4	36.50	10-21NFAAM6	38.80
20-21LF16NMD	137.00	30-21NFDHM4	38.50	10-21NFBAM6	38.80
10-21LF16NMF	134.00	30-21NFAHM6	42.50	10-21NFCAM6	42.10
10-21LF16NMH	144.00	30-21NFBHM6	31.10	10-21NFDAM6	45.60
20-21NFALM4	50.00	30-21NFCHM6	37.90		
20-21NFBLM4	32.10	30-21NFDHM6	43.10	<b>Adapters: Male to Male</b>	
20-21NFCLM4	41.30	10-21NFFHM6	72.60	<b>(Catalog Pages 8.15-8.18)</b>	
20-21NFDLM4	43.90	30-21NFAHM9	44.10	20-21LM4LM12	\$77.60
10-21NFFLM4	88.60	30-21NFBHM9	41.20	20-21LM6LM12	77.60
20-21NFALM6	50.00	30-21NFCHM9	42.80	20-21LM9LM12	126.00
20-21NFBLM6	41.20	30-21NFDHM9	42.70	20-21LM12LM12	85.50
20-21NFCLM6	42.50	10-21NFFHM9	71.00	20-21LM4LM16	126.00
20-21NFDLM6	44.30	10-21NFHFM9	96.60	20-21LM6LM16	126.00
10-21NFFLM6	89.80	30-21NFBXM4	59.10	20-21LM9LM16	126.00
10-21NFHLM6	105.00	60-21HF2HM4	38.50	20-21LM12LM16	126.00
20-21NFALM9	50.00	60-21HF2HM6	38.50	20-21LM16LM16	135.00
20-21NFBLM9	41.00	60-21HF2HM9	51.40	20-21LM12HM4	77.60
20-21NFCLM9	42.50	60-21HF4HM2	41.00	20-21LM12HM6	77.60
20-21NFDLM9	44.10	60-21HF4HM6	50.00	20-21LM12HM9	77.60
10-21NFFLM9	88.50	60-21HF4HM9	50.00	20-21LM16HM4	126.00
10-21NFHLM9	106.00	60-21HF6HM2	43.80	20-21LM16HM6	126.00
20-21NFALM12	115.00	60-21HF6HM4	47.00	20-21LM16HM9	126.00
20-21NFBLM12	112.00	60-21HF6HM9	53.70	30-21HM4HM16	134.00
20-21NFCLM12	109.00	60-21HF9HM2	66.50	30-21HM16HM9	134.00
20-21NFDLM12	93.90	60-21HF9HM4	57.80	30-21HM9HM16	134.00
10-21NFFLM12	129.00	60-21HF9HM6	58.00		
10-21NFHLM12	134.00	60-21HF9HM9	98.20	20-21LM12NMA	143.00
20-21NFALM16	135.00	60-21HF4XM6	81.60	20-21LM12NMB	117.00
20-21NFBLM16	135.00	60-21HF2XM4	74.10	20-21LM12NMC	117.00
20-21NFCLM16	125.00	60-21XF6HM4	81.60	20-21LM12NMD	117.00
20-21NFDLM16	99.60	100-21XF4XM6	102.00	10-21LM12NMF	117.00
10-21NFFLM16	145.00	100-21XF6XM4	83.20	10-21LM12NMH	126.00
10-21NFHLM16	148.00	15-21HF4AM2	58.90	20-21LM16NMA	207.00
30-21HF2NMA	49.20	15-21LF4AM2	46.90	20-21LM16NMB	158.00
30-21HF2NMB	50.00	10-21LF4AM4	49.40	20-21LM16NMC	150.00
30-21HF2NMC	50.00			20-21LM16NMD	150.00
				10-21LM16NMF	158.00
				10-21LM16NMH	144.00

30-21HM2NMA	\$73.80
30-21HM2NMB	71.40
30-21HM4NMA	42.20
30-21HM4NMB	43.80
30-21HM4NMC	62.60
30-21HM4NMD	62.60
10-21HM4NMF	128.00
30-21HM6NMB	66.00
30-21HM6NMC	66.00
30-21HM6NMD	66.00
30-21HM9NMB	80.70
30-21HM9NMC	80.70
30-21HM9NMD	80.70
10-21HM9NMF	113.00
10-21HM9NMH	133.00
60-21HM2HM2	73.80
60-21HM2HM4	73.80
60-21HM4HM4	43.10
60-21HM4HM6	63.90
60-21HM4HM9	80.30
60-21HM6HM6	49.90
60-21HM6HM9	80.30
60-21HM9HM9	61.90
100-21XM4XM4	70.30
100-21XM4XM6	70.30
15-21AM1AM1	48.90
15-21AM1NMA	48.90
15-21AM1AM2	55.70
15-21AM1NMB	48.90
15-21AM1HM2	47.70
15-21AM1HM4	47.70
15-21AM2AM2	48.90
15-21AM2NMA	45.30
15-21AM2NMB	46.90
15-21AM2HM2	67.80
15-21AM2HM4	48.90
15-21AM2LM4	45.00
15-21AM2LM6	46.40
15-21AM2LM9	48.80
10-21AM4AM4	62.40
10-21AM4NMB	62.40
10-21AM4NMD	62.40
10-21AM4HM4	62.40
10-21AM4LM4	48.20
10-21AM4LM6	49.80
10-21AM4LM9	51.70
10-21AM6AM6	60.10
10-21AM6LM4	51.70
10-21AM6LM6	54.70
10-21AM6LM9	56.50
10-21AM6XM4	120.00
10-21AM6XM6	120.00
20-21LM4LM4	44.60
20-21LM4LM6	60.10
20-21LM4LM9	66.60
20-21LM4NMB	46.10
20-21LM4NMD	62.60
20-21LM4HM2	63.80
20-21LM4HM4	63.70
20-21LM4HM6	66.50
20-21LM4HM9	60.60

20-21LM6LM6	\$59.90
20-21LM6LM9	66.60
20-21LM6NMB	62.40
20-21LM6NMC	62.40
20-21LM6NMD	62.40
20-21LM6HM4	41.70
20-21LM6HM6	63.70
20-21LM9LM9	61.90
20-21LM9NMB	67.30
20-21LM9NMC	67.30
20-21LM9NMD	70.80
10-21LM9NMF	104.00
10-21LM9NMH	135.00
20-21LM9HM4	70.80
20-21LM9HM9	70.80

**Couplings: Female to Female  
(Catalog Pages 8.19-8.23)**

15-21AF1	\$40.30
15-21AF2	41.00
10-21AF4	45.80
10-21AF6	52.40
15-21AF1AF2	46.90
10-21AF1AF4	47.70
10-21AF1AF6	49.90
10-21AF2AF4	49.60
10-21AF2AF6	52.40
10-21AF4AF6	52.40
15-21AF1HF2	48.30
15-21AF1HF4	48.30
15-21AF1HF6	52.50
15-21AF1HF9	53.80
15-21AF2HF2	48.80
15-21AF2HF4	48.80
15-21AF2HF6	53.80
15-21AF2HF9	71.70
10-21AF4HF2	50.90
10-21AF4HF4	50.90
10-21AF4HF6	53.20
10-21AF4HF9	73.30
10-21AF6HF2	51.70
10-21AF6HF4	51.70
10-21AF6HF6	55.70
10-21AF6HF9	74.00
15-21AF1NFA	41.90
15-21AF1NFB	41.90
15-21AF1NFC	43.20
15-21AF1NFD	46.40
15-21AF2NFA	41.90
15-21AF2NFB	41.90
15-21AF2NFC	43.20
15-21AF2NFD	47.70
10-21AF4NFA	37.30
10-21AF4NFB	37.30
10-21AF4NFC	37.30
10-21AF4NFD	44.00
10-21AF4NFF	82.40
10-21AF4NFH	103.00
10-21AF6NFA	37.30
10-21AF6NFB	37.30
10-21AF6NFC	37.30
10-21AF6NFD	47.80

10-21AF6NFF	\$83.80
10-21AF6NFH	104.00
20-21LF4	32.30
20-21LF6	40.40
20-21LF9	48.80
20-21LF12	133.00
20-21LF16	181.00
30-21HF16	205.00
15-21LF24	483.00
20-21LF4NFA	38.10
20-21LF4NFB	35.60
20-21LF4NFC	36.50
20-21LF4NFD	38.40
10-21LF4NFF	87.60
10-21LF4NFH	105.00
20-21LF6NFA	45.30
20-21LF6NFB	43.80
20-21LF6NFC	47.00
20-21LF6NFD	52.50
10-21LF6NFF	90.60
10-21LF6NFH	105.00
20-21LF9NFA	47.00
20-21LF9NFB	48.50
20-21LF9NFC	51.30
20-21LF9NFD	53.00
10-21LF9NFF	92.20
10-21LF9NFH	108.00
20-21LF12NFA	123.00
20-21LF12NFB	127.00
20-21LF12NFC	129.00
20-21LF12NFD	114.00
10-21LF12NFF	151.00
10-21LF12NFH	157.00
20-21LF16NFA	172.00
20-21LF16NFB	148.00
20-21LF16NFC	146.00
20-21LF16NFD	134.00
10-21LF16NFF	151.00
10-21LF16NFH	157.00
20-21LF4LF6	47.00
20-21LF4LF9	51.40
20-21LF6LF9	57.50
20-21LF4LF12	138.00
20-21LF6LF12	159.00
20-21LF9LF12	113.00
20-21LF4LF16	144.00
20-21LF6LF16	163.00
20-21LF9LF16	151.00
20-21LF12LF16	156.00
20-21LF4HF2	58.60
20-21LF4HF4	54.40
20-21LF4HF6	58.40
20-21LF4HF9	63.90
20-21LF6HF4	54.40
20-21LF6HF6	57.50
20-21LF6HF9	70.70
20-21LF9HF2	62.10
20-21LF9HF4	62.30
20-21LF9HF6	64.90
20-21LF9HF9	66.70
20-21LF12HF4	125.00
20-21LF12HF6	124.00



# High Pressure Equipment

20-21LF12HF9	\$124.00
20-21LF16HF4	139.00
20-21LF16HF6	145.00
20-21LF16HF9	165.00
60-21HF2	50.00
60-21HF4	39.90
60-21HF6	49.30
60-21HF9	69.90
100-21XF4	72.60
150-21XF6	80.10
60-21HF2HF4	50.00
60-21HF2HF6	53.00
60-21HF2HF9	68.20
60-21HF4HF6	52.40
60-21HF4HF9	66.00
60-21HF6HF9	71.00
60-21HF4XF6	83.20
30-21HF4HF16	135.00
30-21HF2NFA	41.00
30-21HF2NFB	42.40
30-21HF2NFC	44.10
30-21HF2NFD	48.50
10-21HF2NFF	81.60
10-21HF2NFH	108.00
30-21HF4NFA	32.10
30-21HF4NFB	32.60
30-21HF4NFC	37.50
30-21HF4NFD	38.60
10-21HF4NFF	80.10
10-21HF4NFH	98.20
30-21HF6NFA	59.10
30-21HF6NFB	54.60
30-21HF6NFC	54.60
30-21HF6NFD	56.50
10-21HF6NFF	80.10
10-21HF6NFH	102.00
30-21HF9NFA	60.40
30-21HF9NFB	59.10
30-21HF9NFC	59.10
30-21HF9NFD	62.20
10-21HF9NFF	87.60
10-21HF9NFH	105.00
15-21AF1LF4	53.00
15-21AF1LF6	58.40
15-21AF1LF9	67.30
15-21AF1LF16	165.00
15-21AF2LF4	55.30
15-21AF2LF6	59.40
15-21AF2LF9	66.80
15-21AF2LF16	148.00
10-21AF4LF4	57.50
10-21AF4LF6	59.60
10-21AF4LF9	68.10
10-21AF6LF4	58.50
10-21AF6LF6	60.20
10-21AF6LF9	68.60

## NPT Adapters (Catalog Page 8.18.1-2)

15-21NFA	\$53.00
15-21NFB	53.00
15-21NFC	53.00
15-21NFD	66.50
10-21NFF	116.00
10-21NFH	119.00
15-21NFBNFC	57.50
15-21NFBNFD	63.70
15-21NFCNFD	63.70
15-21NMANMA	45.80
15-21NMBNMB	45.80
15-21NMCNMC	45.80
15-21NMDNMD	45.80
10-21NMFNMF	74.10
10-21NMHNMH	119.00
15-21NMBNMC	48.50
15-21NMBNMD	51.40
15-21NMCNMD	51.40
15-21NFANMA	62.10
15-21NFANMB	62.10
15-21NFANMC	62.10
15-21NFANMD	72.60
15-21NFBNMA	58.40
15-21NFBNMB	58.40
15-21NFBNMC	58.40
15-21NFBNMD	62.40
15-21NFCNMB	63.20
15-21NFCNMD	66.50
15-21NFDNMA	62.10
15-21NFDNMB	62.10
15-21NFDNMC	62.10
15-21NFDNMD	74.10
10-21NFFNMD	87.90
10-21NFFNMH	91.30
10-21NFHNMD	129.00
10-21NFHNMF	211.00

## Hose Adapters (Catalog Page 8.18.3-4)

40-21HM4HA9	\$45.30
30-21HM4HA12	45.30
26-21HM4HA16	48.50
40-21HM6HA9	48.50
30-21HM6HA12	48.50
26-21HM6HA16	51.40
40-21HM9HA9	51.40
30-21HM9HA12	51.40
26-21HM9HA16	51.40
20-21LM4HA9	45.30
20-21LM4HA12	45.30
20-21LM4HA16	48.50
20-21LM6HA9	45.30
20-21LM6HA12	45.30
20-21LM6HA16	48.50
20-21LM9HA9	45.30
20-21LM9HA12	45.30
20-21LM9HA16	48.50
15-21NMDHA16	50.30
20-21LM12HA9	60.40

20-21LM12HA12	\$63.70
20-21LM12HA16	72.60
20-21LM12HA21	115.00
20-21LM16HA9	60.40
20-21LM16HA12	72.60
20-21LM16HA16	78.60
20-21LM16HA21	84.60
15-21NMBHA9	42.50
15-21NMBHA12	45.30
15-21NMBHA16	48.50
15-21NMCHA9	42.50
15-21NMCHA12	45.30
15-21NMCHA16	48.50
15-21NMDHA9	42.50
15-21NMDHA12	48.50
15-21NMDHA16	51.40
10-21NMFHA12	103.00
10-21NMFHA16	103.00
10-21NMHHA16	113.00
26-21HA9HA9	45.30
26-21HA9HA12	48.50
26-21HA9HA16	51.40
26-21HA12HA12	51.40
26-21HA12HA16	51.40
26-21HA16HA16	51.40

## Thermocouple Adapters (Catalog Page 8.24)

15-21AF1AM2-T	\$62.10
10-21AF1AM4-T	62.10
10-21AF1AM6-T	80.10
15-21AF1NMA-T	44.10
15-21AF1NMB-T	44.10
15-21AF1NMC-T	44.10
15-21AF1NMD-T	44.10
10-21AF1NMF-T	64.90
10-21AF1NMH-T	84.60
15-21AF1LM4-T	56.10
15-21AF1LM6-T	60.40
15-21AF1LM9-T	64.90
15-21AF1HM2-T	63.70
15-21AF1HM4-T	63.70
15-21AF1HM6-T	80.10
15-21AF1HM9-T	92.20
15-21AF2LM4-T	59.10
15-21AF2LM6-T	60.40
15-21AF2LM9-T	64.90
10-21AF2AM4-T	66.50
10-21AF2AM6-T	77.00
15-21AF2HM4-T	68.20
15-21AF2HM6-T	72.60
15-21AF2HM9-T	72.60
15-21AF2NMA-T	45.30
15-21AF2NMB-T	45.30
15-21AF2NMC-T	45.30
15-21AF2NMD-T	45.30
10-21AF2NMF-T	66.50
10-21AF2NMH-T	84.60
10-21AF4HM9-T	75.60
10-21AF4LM9-T	73.20

**Pressure Gauges  
(Catalog Page 8.25)**

4PG5	\$338.00
4PG10	342.00
6PG20	576.00
6PG30	720.00
6PG50	1,183.00
6PG75	1,246.00
6PG100	1,455.00
6PG150	2,782.00

**Tooling**

**Reseating Tools  
(Catalog Page 9.2)**

RTL4	\$68.10
RTL6	78.80
RTL9	101.00
RTHF2	68.10
RTHF4	68.10
RTHF6	78.80
RTHF9	101.00
RTXF4	68.10
RTXF6	78.80

**Coning Tools  
(Catalog Page 9.3)**

**Complete Tool**

2-LF4	\$311.00
2-LF6	311.00
2-LF9	393.00
2-HF2	345.00
2-HF4	311.00
2-HF6	311.00
2-HF9	393.00
2-HF9-40	393.00
2-XF4	316.00
2-XF6	328.00

**Cutter (Spare)**

2-LF4L*	\$92.00
2-LF6L*	92.00
2-LF9L	92.00
2-HF2L*	111.00
2-HF4L*	92.00
2-HF6L*	92.00
2-HF9L	92.00
2-HF9L-40	92.00
2-XF6L*	112.00

**Collet (Spare)**

2-LF4P	\$69.00
2-LF6P	69.00
2-LF9P	69.00
2-HF2P*	69.00
2-HF4P*	69.00
2-HF6P*	69.00
2-HF9P	69.00
2-XF6P*	69.00

\* Interchangeable in any of the assemblies except 2-HF9 and 2-LF9

**Threading Tools  
(Catalog Page 9.3)**

**Complete Tool**

2-MLF4	\$211.00
2-MLF6	211.00
2-MLF9	211.00
2-MHF2	172.00
2-MHF4	211.00
2-MHF6	211.00
2-MHF9	211.00
2-MXF6	211.00

**Threading Die (Spare)**

1/8-40LH	\$62.90
1/4-28LH*	77.80
3/8-24LH*	77.80
9/16-18LH*	77.80

**Guide Bushing (Spare)**

2-MLF4P*	\$34.70
2-MLF6P*	34.70
2-MLF9P*	34.70
2-MHF4P*	34.70
2-MHF6P*	34.70
2-MHF9P*	34.70
2-MXF6P*	34.70

\* Interchangeable in any of the assemblies except 2-MHF2.  
Rapid Tap 4 oz. 19.20

**Pumping Systems,  
Intensifiers, Gas  
Boosters and High  
Pressure Generators**

**High Pressure Generators  
(Catalog Page 11.9)**

87-6-5	\$1,480.00
62-6-10	1,480.00
50-6-15	1,480.00
37-6-30	1,480.00

**Vernier Indicator 401491**

(Option for above models) \$202.00

Spare Packing

(See spare parts list)

**Extra Capacity Models**

112-5.75-5	\$3,346.00
81-5.75-10	3,346.00
68-5.75-15	3,346.00
50-5.75-30	3,346.00
37-5.75-60	3,346.00
31-5.75-75	3,661.00
25-5.75-100	4,247.00

Spare Packing

(See spare parts list)

**Oil & Gas Products**

**Nipples, Fittings, Couplings,  
Check Valves, Filters  
(Catalog Page 13.4-13.6)**

60-HM4-2.75-SGS	\$16.80
60-HM4-6-SGS	27.40
60-HM4-8-SGS	35.10
60-HM4-10-SGS	41.00
60-HM4-12-SGS	44.10
60-HM6-3-SGS	25.90
60-HM6-6-SGS	32.10
60-HM6-8-SGS	39.40
60-HM6-10-SGS	42.50
60-HM6-12-SGS	45.30
60-HM9-4-SGS	36.50
60-HM9-6-SGS	42.50
60-HM9-8-SGS	50.00
60-HM9-10-SGS	57.50
60-HM9-12-SGS	64.90
60-2HM4-SGS	9.50
60-2HM6-SGS	11.10
60-2HM9-SGS	18.40
60-2H4-SGS	6.40
60-2H6-SGS	6.40
60-2H9-SGS	9.50
60-7HM4-SGS	8.00
60-7HM9-SGS	11.10
60-7HM9-SGS	15.60
60-22HF4-SGS	62.10
60-22HF6-SGS	84.60
60-22HF9-SGS	95.30
60-23HF4-SGS	80.10
60-23HF6-SGS	93.60
60-23HF9-SGS	125.00
60-24HF4-SGS	102.00
60-24HF6-SGS	116.00
60-24HF9-SGS	134.00
60-21HF4-U-SGS	81.60
60-21HF6-U-SGS	92.20
60-21HF9-U-SGS	134.00
60-21HF4-B-SGS	95.30
60-21HF6-B-SGS	135.00
60-21HF9-B-SGS	149.00
60-21HF4-C-SGS	50.00
60-21HF6-C-SGS	62.10
60-21HF9-C-SGS	87.60
60F-51HF4-SGS	451.00
60F-51HF6-SGS	514.00
60F-51HF9-SGS	587.00
60-41HF4-SGS	256.00
60-41HF6-SGS	323.00
60-41HF9-SGS	406.00
30-41HF4-T-SGS	287.00
30-41HF6-T-SGS	301.00
30-41HF9-T-SGS	372.00
60-41HF4-T-SGS	301.00
60-41HF6-T-SGS	365.00
60-41HF9-T-SGS	410.00





# High Pressure Equipment

## Valves

### (Catalog Page 13.3)

30-11HF4-SGS	\$203.00
30-11HF6-SGS	230.00
30-11HF9-SGS	245.00
60-11HF4-SGS	233.00
60-11HF6-SGS	241.00
60-11HF9-SGS	245.00
30-12HF4-SGS	203.00
30-12HF6-SGS	230.00
30-12HF9-SGS	245.00
60-12HF4-SGS	233.00
60-12HF6-SGS	241.00
60-12HF9-SGS	245.00
30-13HF4-SGS	222.00
30-13HF6-SGS	251.00
30-13HF9-SGS	355.00
60-13HF4-SGS	247.00
60-13HF6-SGS	259.00
60-13HF9-SGS	304.00
30-14HF4-SGS	222.00
30-14HF6-SGS	251.00
30-14HF9-SGS	355.00
60-14HF4-SGS	247.00
60-14HF6-SGS	259.00
60-14HF9-SGS	304.00
30-15HF4-SGS	289.00
30-15HF6-SGS	362.00
30-15HF9-SGS	434.00
60-15HF4-SGS	323.00
60-15HF6-SGS	362.00
60-15HF9-SGS	532.00
30-12HF4-R-SGS	274.00
30-12HF6-R-SGS	375.00
30-12HF9-R-SGS	400.00
60-12HF4-R-SGS	289.00
60-12HF6-R-SGS	410.00
60-12HF9-R-SGS	425.00

### Well Head Gauge and Bleed Valves (Catalog Page 13.7)

30-GVHF9	\$286.00
30-GVHF9-SGS	395.00
30-BVHM9	108.00
30-BVHM9-SGS	132.00

## Spare Parts

### Taper Seal

#### 15,000 psi

#### AF1 Series Valves

Handle 2-263	\$10.90
Stem Nut 2-566	22.60
Lock Nut 2-1030	6.30
Stem 2-2645	56.00
Top Washer 2-267	9.70
Buna O-ring B-101	4.20
Viton O-ring B-614	5.80
Silicone O-ring B-149	5.80
Teflon Packing B-195*	5.80
Grafoil Packing B-1379	8.10

Bottom Washer 2-266	8.30
Regulating Stem Assembly 2-9350	56.00

#### 15,000 psi

#### AF2 Series Valves

Handle 2-263	\$10.90
Stem Nut 2-265	22.60
Lock Nut 2-268	6.30
Stem 2-2645	56.00
Top Washer 2-267	9.70
Buna O-ring B-101	4.20
Viton O-ring B-614	5.80
Silicone O-ring B-149	5.80
Teflon Packing B-195*	5.80
Grafoil Packing B-1379	8.10
Bottom Washer 2-266	8.30
Regulating Stem Assembly 2-9350	56.00

#### 10,000 psi

#### AF4 and AF6 Series Valves

Handle 2-151	\$11.60
Locking Device 2-657	11.90
Stem Assembly 2-7461	75.30
Lower Stem Only 2-7428	35.40
Upper Stem Assembly 2-7981	39.90
Top Washer 2-154	9.70
Buna O-ring B-102	4.20
Viton O-ring B-849	5.80
Silicone O-ring B-147	5.80
Teflon Packing B-181*	5.80
Grafoil Packing B-1417 (1 ea)	9.00
-w Grafoil Packing B-1357 (1 ea)	7.00
Bottom Washer 2-156	8.30
Lower Stem Regulating 2-9347	38.10

#### Ball Check Valves

#### Taper Seal (AF1, AF2, AF4, AF6)

Ball B-521 (316 SS)	\$5.00
Ball Support 2-7900	21.30
Spring B-551	8.40
Gasket B-552	6.90

#### Line Filter Discs

#### AF4, AF6, NFB, NFC, NFD: (4 per set)

0.5 Micron B-1442 Set	\$36.00
2 Micron B-1443 Set	36.40
5 Micron B-1444 Set	36.40
10 Micron B-923 Set	36.40
20 Micron B-1445 Set	36.40
40 Micron B-610 Set	36.40
100 Micron B-607 Set	36.40

#### AF1, AF2: (3 per set)

#### HF2 old style

0.5 Micron B-1450 Set	\$35.70
2 Micron B-1451 Set	35.70
5 Micron B-1452 Set	35.70
10 Micron B-475 Set	35.70
20 Micron B-1453 Set	35.70
40 Micron B-616 Set	35.70
100 Micron B-474 Set	35.70

#### Soft Seat Check Valves

Poppet 2-2272	\$35.10
O-ring B-159 Buna	4.30
O-ring B-152 Teflon	4.30
O-ring B-870 Viton	4.60
Spring B-551	8.40
Gasket B-552	6.90

#### Safety Heads (Rupture Assemblies)

Hold Down Nut 2-204	\$39.10
Hold Down Ring 2-130	34.40

## Medium Pressure

### 20,000 psi

#### LF4 and LF6 Series Valves

\* For Valves purchased prior to Nov. 2016, please consult the factory for spares.

Handle 212435	\$21.40
Stem Nut 213935	33.50
Locking Device 2-7733	11.70
Set Screw B-1489	4.90
Upper Stem 213934	38.60
Lower Stem 213933	34.60
Top Washer 2-7731	11.70
Polypak Seal B-1388	13.50
Grafoil Packing B-1391 Set (2)	12.20
Teflon Packing B-1392 Set (2)	13.40
Bottom Washer 2-7732	11.70
LF4 Removable Seat Gland 2-8512	96.10
LF6 Removable Seat Gland 2-8431	96.10
Lower Regulating Stem Assembly 2-9355 (& MTS)	66.90
Lens Ring 2-8432	42.40

### 20,000 psi

#### LF9 Series Valves

\* For Valves purchased prior to Nov. 2016, please consult the factory for spares.

Handle 212436	\$15.80
Stem Nut 2-7737-AM45	34.40
Locking Device 2-7734	11.70
Set Screw B-1489	4.90
Upper Stem Assembly 212431	70.70
Top Washer 2-7738	14.50
Polypak Seal B-1387	13.50
Grafoil Packing B-1386 Set (2)	12.20
Teflon Packing 2-7341 Set (2)	13.00
Bottom Washer 2-7342	12.80
Std. Lower Stem 2-7467	45.10
Lower Regulating Stem 2-8108	65.50
High Temp. Stem Assembly 2-8387	158.00
Removable Seat Gland 2-8592	96.10
Lens Ring 2-897	42.40



**20,000 psi****LF12 Series Valves**

Handle 2-8673 .....	\$16.50
Handle Collar 2-8674 .....	95.20
Packing Gland 2-8675 .....	117.00
Locking Device 2-8669 .....	14.60
Bearing Washer 2-8676 .....	22.90
Stem Sleeve 2-8677 .....	67.80
Upper Stem 2-8678 .....	60.00
Lower Stem 2-8679 .....	62.10
Top Washer 2-8754 .....	30.30
Teflon Packing 2-8740 Set (2) .....	12.80
Grafoil Packing B01455 Set (3) .....	30.80
Polypak B-1431 (1 ea) .....	13.50
Bottom Washer 2-8755 .....	30.30
Removable Seat Gland	
2-9280 .....	134.00
Lens Ring 2-9279 .....	58.50

**20,000 psi****LF16 Series Valves**

Handle 2-8673 .....	\$16.50
Handle Collar 2-8680 .....	97.60
Packing Gland 2-8681 .....	120.00
Locking Device 2-8670 .....	15.10
Bearing Washer 2-8682 .....	25.30
Stem Sleeve 2-8683 .....	120.00
Upper Stem 2-8684 .....	99.60
Lower Stem 2-8685 .....	84.50
Bearing Washer 2-8686 .....	28.90
Top Washer 2-8756 .....	38.60
Teflon Packing 2-8741 Set (2) .....	13.90
Grafoil Packing B-1440 Set (2) .....	30.60
Polypak B-1742 (1) .....	13.50
Bottom Washer 2-8757 .....	38.60
Removable Seat Gland	
2-9282 .....	168.00
Lens Ring 2-9281 10K .....	78.50
Lens Ring 2-9972 20K .....	71.40

**Ball Check Valves****Medium Pressure (LF4 and LF6)**

Ball B-521 (316ss) .....	\$5.00
Ball Support 2-7900 .....	21.30
Spring B-551 .....	8.40
Gasket B-552 .....	6.90

**Medium Pressure (LF9)**

Ball B-522 (316ss) .....	\$5.50
Ball Support 2-7901 .....	23.00
Spring B-958 .....	10.60
Gasket B-959 .....	8.10

**Line Filter Discs****LF4, LF6 and LF9 Series (4 per set)**

0.5 Micron B-1442 Set .....	\$36.00
2 Micron B-1443 Set .....	36.40
5 Micron B-1444 Set .....	36.40
10 Micron B-923 Set .....	36.40
20 Micron B-1445 Set .....	36.40
40 Micron B-610 Set .....	36.40
100 Micron B-607 Set .....	36.40
Spacer 2-1104 .....	11.90

**Soft Seat Check Valves****LF4 and LF6 Series**

Poppet 2-2272 .....	\$35.10
O-ring B-159 Buna .....	4.30
O-ring B-152 Teflon .....	4.30
O-ring B-870 Viton .....	4.60
Spring B-551 .....	8.40
Gasket B-552 .....	6.90

**LF9 Series**

Poppet 2-4740 .....	\$40.10
O-ring B-104 Buna .....	6.40
O-ring B-161 Teflon .....	6.90
Spring B-958 .....	10.60
Gasket B-959 .....	8.10

**Safety Heads (Rupture Assemblies)**

Hold Down Nut 2-204 .....	\$39.10
Hold Down Ring 2-130 .....	34.40

**High Pressure****30,000 psi****HF2 Series Valves**

Handle 2-263 .....	\$10.90
Stem Nut 2-265 .....	22.60
Lock Nut 2-268 .....	6.30
Stem 2-2645 .....	56.00
Top Washer 2-267 .....	9.70
Buna O-ring B-101 .....	4.20
Viton O-ring B-614 .....	5.80
Silicone O-ring B-149 .....	5.80
Grafoil Packing B-1379 .....	8.10
Teflon Packing B-195* .....	5.80
Bottom Washer 2-266 .....	8.30
Regulating Stem 2-9350 .....	56.00

**30,000 psi****HF4, HF6, and HF9 Series Valves**

*\* For Valves purchased prior to Nov. 2016, please consult the factory for spares.*

Handle 212435 .....	\$21.40
Locking Device 2-657 .....	11.90
Set Screw B-1489 .....	4.90
Upper Stem 213909 .....	38.60
Lower Stem 213910 .....	34.60
Top Washer 2-154 .....	9.70
Buna O-ring B-102 .....	4.20
Viton O-ring B-849 .....	5.80
Silicone O-ring B-147 .....	5.80
Grafoil Packing B-1417 .....	9.00
Teflon Packing B-181* .....	5.80
Teflon/Buna 209276 .....	28.90
Bottom Washer 2-156 .....	8.30
Bottom Spacer 2-155 .....	6.90
HF4 Removable Seat Gland 2-750 .....	103.00
HF6 Removable Seat Gland 2-751 .....	103.00
HF9 Removable Seat Gland 2-752 .....	103.00
Lower Regulating Stem Kit 2-9348 .....	35.90
Lens Ring 2-753 .....	42.20

**30 000 psi****HF16 Series Valves****Use LF16, 20,000 psi parts, except:**

Lower Stem 2-8753 .....	\$82.30
Top Washer 2-8752 .....	45.30
Teflon Packing 2-8740 Set (2) .....	12.80
Grafoil B-1455 Set (2) .....	30.80
Polypak B-1431 (1) .....	13.50
Bottom Washer 2-8755 .....	30.30
Removable Seat Gland 210915 .....	168.00
Lens Ring 210914 .....	42.20

**60,000 psi****HF2, HF4, HF6 and HF9 Series Valves**

*\* For Valves purchased prior to Nov. 2016, please consult the factory for spares.*

Handle 212435 .....	\$21.40
Locking Device 2-657 .....	11.90
Set Screw B-1489 .....	4.90
Upper Stem 213909 .....	38.60
Lower Stem 213910 .....	34.60
Top Washer 2-717 (416) .....	9.70
Buna O-ring B-101 .....	4.20
Viton O-ring B-614 .....	5.80
Silicone O-ring B-149 .....	5.80
Packing Set Teflon/Nylatron	
214089 .....	30.20
Teflon Packing B-195 (old style) .....	5.80
Grafoil Packing B-1379 .....	8.10
Teflon/Viton 212401 .....	35.40
Bottom Washer 2-716 .....	8.30
Bottom Spacer 2-718 (old style) .....	6.90
HF4 Removable Seat Gland	
2-750 .....	103.00
HF6 Removable Seat Gland	
2-751 .....	103.00
HF9 Removable Seat Gland	
2-752 .....	103.00
Lower Regulating Stem Kit	
2-9349 .....	35.90
Lens Ring 2-1238 .....	42.20

**Ball Check Valves****High Pressure (HF2, HF4, HF6, HF9)**

Ball B-516 (440 SS) .....	\$5.00
Ball Support 2-7900 .....	21.30
Spring B-551 .....	8.40
(No Gasket Required) .....	

*\* Standard unless otherwise specified*



# High Pressure Equipment

## Line Filter Discs

<b>HF2, HF4, HF6, HF9: (3 per set)</b>	
0.5 Micron B-1446 Set	\$35.70
2 Micron B-1447 Set	35.70
5 Micron B-1448 Set	35.70
10 Micron B-1407 Set	35.70
20 Micron B-1449 Set	35.70
40 Micron B-1408 Set	35.70
100 Micron B-1409 Set	35.70

## Soft Seat Check Valves

<b>HF2, HF4, HF6, HF9</b>	
Poppet 2-2272	\$35.10
O-ring B-159 Buna	4.30
O-ring B-152 Teflon	4.30
O-ring B-870 Viton	4.60
Spring B-551	8.40
Gasket B-310 (60,000 psi only)	8.10
Gasket B-552	6.90

## Safety Heads (Rupture Assemblies)

Hold Down Nut 2-204	\$39.10
Hold Down Ring 2-130	34.40

## Ultra High Pressure

### 100,000 and 150,000 psi

#### XF4 and XF6 Series Valves

Handle 2-754	\$16.70
Locking Device 2-3144	20.10
Stem Assembly 210127	121.00
Top Washer 4-2485C (17-4 Ph)	23.90
Nylon/Teflon Packing 2-8691	26.40
Bottom Washer 2-716 (17-4 Ph)	8.30
Packing Gland 4-2485D	43.90
XF4 Removable Seat Gland	
2-8519	103.00
XF6 Removable Seat Gland	
2-6785	103.00

## Specialty Valves

### Micro Control Valves

Lower Section Stem 2-7228	\$115.00
Handle 2-754	16.70
Top Washer 2-717	9.70
Bottom Washer 2-716	8.30
Bottom Spacer 2-718	6.90
Buna O-ring B-101	4.20
Viton O-ring B-614	5.80
Silicone O-ring B-149	5.80
Grafoil Packing B-1379	8.10
Teflon/Nylon Packing Set	
2-9689	30.20

## 3/4" and 1" NPT Valves

Handle 2-8673	\$16.50
Handle Collar 2-8680	97.60
Packing Gland 2-8681	120.00
Locking Device 2-8670	15.10
Bearing Washer 2-8682	25.30
Stem Sleeve 2-8683	120.00
Upper Stem 2-8684	99.60
Lower Stem 2-8685	84.50
Bearing Washer 2-8686	28.90
Top Washer 2-8756	38.60
Teflon Packing 2-8741 Set (2)	13.90
Bottom Washer 2-8757	38.60

## Ball Valves

Handle 2-8642	\$18.10
Roll Pin B-1509	4.20
Handle Stop Collar 2-8643	24.50
Stop Collar (3-way) 2-8730	24.50
Stop Collar (Diverter) 2-8643	24.50
Stem 2-8644	45.00
Packing Gland 2-8645	25.60
Locking Device 2-7733	11.70
Top Packing Washer 2-7731	11.70
Teflon Packing B-1392 Set (2)	13.40
Bottom Packing Washer 2-7732	11.70
Bearing Washer 2-8646	19.80
Body (2-way) 2-8641	145.00
Body (3-way, Diverter) 2-8729	167.00
0.485 Ball (2-way) 2-8647	18.80
0.485 Ball (3-way) 2-8721	24.80
0.485 Ball (Diverter) 2-8834	28.30
Ball Seat 2-8648	16.80
O-ring B-821	5.50
Seat Gland	54.40

## Trunion Style Ball Valves

### (Catalog Page 6.3)

#### .187 Orifice

Handle 210285	\$17.40
Set Screw 210242	9.80
Stop Collar 210616	24.50
Stop Collar 210217	24.50
Stem 210229	25.90
Panel Nut 209219-8	22.90
Bearing Washer 210230	13.30
O-Ring B01117	4.90
Back Up Washer B01578	4.90
Ball Seat Assembly 210233	31.20
Ball Seat 210231	14.60
Ball Seat Holder 210232	18.40
Belleville Washer B01604	3.50
Packing Washer 210234	8.60
Back Up Washer 210286	5.40
Body Bushing 210219	8.60
Trunion 2-Way 210598	50.00
Trunion 180° 210235	50.00
Trunion Diverter 210360	50.00
Bottom Bushing 210218	8.60
Body 601934	178.00
O-Ring B00823	5.50
O-Ring B01032	5.70
Seat Gland	84.60

Bottom Gland	\$77.00
Square Adapter 210672	60.80

## Trunion Style Ball Valves

### (Catalog Page 6.3)

#### .375 Orifice

Handle 210285	\$17.40
Set Screw 210242	9.80
Stop Collar 210616	24.50
Stop Collar 210217	24.50
Stem 210229	25.90
Panel Nut 209219-8	22.90
Bearing Washer 210230	13.30
O-Ring B01117	4.90
Back Up Ring B01578	4.90
Ball Seat Assembly 210220	50.00
Ball Seat 210221	27.40
Ball Seat Holder 210222	24.50
Belleville Washer B01605	4.60
Packing Washer 210223	9.50
Back Up Washer 210288	5.90
Body Bushing 210219	8.60
Trunion 2-Way 210599	54.40
Trunion 180° 210224	54.40
Trunion Diverter 210359	54.40
Bottom Bushing 210218	8.60
Body 601935	216.00
O-Ring B01584	6.30
O-Ring B01583	5.80
O-Ring B00809	5.60
Seat Gland	99.60
Bottom Gland	92.20
Square Adapter 210672	60.80

## Trunion Style Ball Valves

### (Catalog Page 6.3)

#### 0.50 Orifice

Handle 208673	\$16.50
Set Screw 211696	14.70
Stop Collar 403588	46.90
Stem 403587	42.30
Bearing Washer 211104	21.80
O-Ring B01101	5.90
Back Up Washer B01790	8.50
Ball Seat Assembly 211096	59.10
Ball Seat 211094	29.50
Ball Seat Holder 211095	35.60
Belleville Washer B01892	7.20
Packing Washer 211103	24.90
Back Up Washer 211105	11.30
Body Bushing 211102	38.90
Trunion 2-Way 211097	149.00
Trunion 180 211675	176.00
Trunion Diverter 211676	179.00
Bottom Bushing 211101	19.80
Body 602447	802.00
O-Ring B01893	9.00
O-Ring B01340	9.00
Seat Gland	175.00

Bottom Gland 211106 .....	\$167.00
Square Adapter 211721 .....	66.50

## Air Operated Valves

### Hipco Air Operated Valves Normally Closed - air to open

Spring B-1397 60,000 psi, 30,000 psi and Taper Seal .....	\$50.40
Spring B-1428 20,000 psi series .....	50.40
O-ring B-1350 Set (2) .....	18.40
O-ring B-105 .....	5.50

### Normally Open - air to close

Spring B-395 .....	\$23.00
O-ring B-105 .....	5.50

### 10,000 psi Series (AF4 and AF6)

Stem 2-7624 .....	\$88.30
Packing Gland 2-7525 .....	62.00
Locknut B-1225 .....	7.10

### 30,000 psi Series

Stem 2-7622 .....	\$88.30
Packing Gland 2-7525 .....	62.00
Locknut B-1225 .....	7.10

### 60,000 psi Series

Stem 2-9426 .....	\$88.30
Packing Gland 2-7525 .....	62.00
Locknut B-1225 .....	7.10

### LF4 and LF6 Series

Stem 2-8215 .....	\$90.40
Packing Gland 2-8217 .....	59.60
Locknut 2-2480 .....	13.30

### LF9 Series (rated 10,000 psi)

Upper Stem 2-8799 .....	\$52.90
Lower Stem 2-7467 .....	45.10
Packing Gland 2-8822 .....	62.00
Locknut 2-8390 .....	13.30
Diaphragm B-1356 .....	21.80
Snap Ring B-1351 Set (2) .....	9.00
Support Washer 2-7526 .....	14.90
Hex Nut (Nylok) B-1354 .....	5.40

### Remarco Air Operated Valves

#### Normally Closed - air to open "SD" Series

Spring B-780 .....	\$68.80
Diaphragm B-828 .....	35.60
Gasket B-451 .....	10.90

#### Normally Open - air to close

##### "D" Series

Spring B-395 .....	\$23.00
Diaphragm B-828 .....	35.60
Gasket B-451 .....	10.90

### 10,000 psi Series

Stem 2-4324 .....	\$88.30
Top Packing Washer 2-1764 .....	17.00
Teflon Packing B-185 Set (2) .....	16.80
Polypak B-1406 .....	13.80
Bottom Packing Washer 2-1764 .....	17.00
Lens Ring 2-4325 .....	42.20
Removable Seat Gland 2-898 .....	103.00

### 20,000 psi Series

Spring (Normally Closed) B-1068 .....	\$165.00
Spring (Normally Open) B-395 .....	23.00
Diaphragm B-828 .....	35.60
Gasket B-451 .....	10.90
Stem 2-4324 .....	88.30
Top Packing Washer 2-1764 .....	17.00
Teflon Packing B-185 Set (2) .....	16.80
Bottom Packing Washer 2-1764 .....	17.00
Lens Ring 2-4325 .....	42.20
Removable Seat Gland 2-8208 .....	103.00

### 30,000 psi Series

Stem 2-2890 .....	\$88.30
Top Packing Washer 2-154 .....	9.70
Teflon Packing B-181 .....	5.80
Bottom Packing Washer 2-156 .....	8.30
Spacer 2-155 .....	6.90
Packing Set Teflon/Nylon 210291 .....	30.20
Lens Ring 2-753 .....	42.20

HF4 Removable Seat Gland .....	103.00
HF6 Removable Seat Gland 2-751 .....	103.00
HF9 Removable Seat Gland 2-752 .....	103.00

### 60,000 psi Series

Stem 2-2886 .....	\$88.30
Top Packing Washer 2-717 .....	9.70
Teflon Packing B-195 .....	5.80
Bottom Packing Washer 2-716 .....	8.30
Spacer 2-718 .....	6.90
Packing Set Teflon/Nylatron 214089 .....	30.20
Lens Ring 2-1238 .....	42.20
HF4 Removable Seat Gland 2-750 .....	103.00
HF6 Removable Seat Gland 2-751 .....	103.00
HF9 Removable Seat Gland 2-752 .....	103.00
Grafoil Packing B-1379 .....	8.10

### 100,000 psi Series

Stem 2-5432 A .....	\$88.30
Packing Set Teflon/Nylatron 214089 .....	30.20
Top Packing Washer 2-717 .....	9.70
Teflon Packing B-195 .....	5.80

Bottom Packing Washer 2-716 .....	\$8.30
Spacer 2-718 .....	6.90
Lens Ring 2-5434 .....	44.00
XF4 Removable Seat Gland 2-8519 .....	103.00
XF6 Removable Seat Gland 2-6785 .....	103.00

### Complete Lower Section Valve Assemblies, Including Body, Stem, Packing Components, etc. for assembly to existing Air Operator.

30R-12HF4R Lower Unit .....	\$547.00
30R-12HF6R Lower Unit .....	547.00
30R-12HF9R Lower Unit .....	630.00
10R-12LF9R Lower Unit .....	630.00
20R-12LF9R Lower Unit .....	681.00
60R-12HF4R Lower Unit .....	547.00
60R-12HF6R Lower Unit .....	547.00
60R-12HF9R Lower Unit .....	630.00
100R-12XF6R Lower Unit .....	938.00
10R-12HF9R Lower Unit .....	547.00

### Relief Valves

#### Assembly 4-2633

Stem 2-8545 .....	\$67.90
Viton O-ring B-821 .....	5.50
Removable Seat Gland 2-3502 .....	102.00
2-8554 Stem Seat .....	37.90

### Seal Ring Seat

2-8547 - 3,000 to 10,999 psi .....	\$77.50
2-8537 - 11,000 to 20,999 psi .....	77.50
2-8548 - 21,000 to 30,000 psi .....	77.50
210857 - 30,001 to 45,000 psi .....	77.50
210858 - 45,001 to 60,000 psi .....	77.50

### High Temperature Valves

#### 30,000 psi Series

Handle 2-151 .....	\$11.60
Stem Assembly 210154 .....	127.00
Packing Gland 2-152 .....	25.10
Locking Device Collar 2-7450 .....	23.90
High Temperature Housing 2-6880 .....	91.50
Top Packing Washer 2-188 .....	16.50
Bottom Packing Washer 2-187 .....	12.50
Grafoil Packing B-1357 Set (3) .....	21.00
Gasket 213534 .....	22.50

#### 20,000 psi Series (LF4 and

Handle 2-151 .....	\$11.60
Stem Assembly 2-8262 .....	128.00
Packing Gland 2-7730 .....	25.10
Locking Device 2-7733 .....	11.70
High Temperature Housing 2-8264 .....	91.50
Top Packing Washer 2-7731 .....	11.70
Bottom Packing Washer 2-7732 .....	11.70
Grafoil Packing B-1391 Set (2) .....	12.20
Seal Ring 2-8265 .....	37.80



# High Pressure Equipment

## 20,000 psi Series (LF9)

Handle 2-754	\$16.70
Stem Assembly 2-8387	158.00
Packing Gland 2-7737	34.40
Locking Device 2-7734	11.70
High Temperature Housing 2-8389	91.50
Top Packing Washer 2-7738	14.50
Bottom Packing Washer 2-7342	12.80
Grafoil Packing B-1386 Set (2)	12.20
Seal Ring 2-8391	43.00

## Pressure Generators

### Model 87-6-5

Shaft 2-450 (7/8)	\$447.00
Nut 2-1482	465.00
Top Packing Washer 2-7357	43.80
Teflon Packing B-208*	35.10
Bottom Washer 2-7358	39.10
Polypak Seal B-1369 Set (2)*	35.20

### Model 62-6-10

Shaft 2-450 (5/8)	\$447.00
Nut 2-1482	465.00
Top Packing Washer 2-6203	43.80
Teflon Packing B-201*	35.10
Bottom Washer 2-1773	39.10
Polypak Seal B-1370 Set (2)*	35.20

### Model 50-6-15

Shaft 2-450 (1/2)	\$447.00
Nut 2-1482	465.00
Top Packing Washer 2-5408	43.80
Teflon Packing B-1066*	35.10
Bottom Washer 2-5410	39.10
Polypak Seal B-1371 Set (2)*	35.20

### Model 37-6-30

Shaft 2-450 (3/8)	\$447.00
Nut 2-1482	465.00
Top Packing Washer 2-6234	43.80
Teflon Packing B-1142	35.10
Bottom Washer 2-6235	39.10
Polypak Seal B-1372 Set (2)*	35.20

### Model 112-5.75-5

Shaft 2-8127	\$236.00
Top Packing Washer 2-8136	65.00
Polypak Seal B-1396 Set (2)*	35.20
Teflon Packing B-1398*	35.10
Bottom Washer 2-8220	52.60

### Model 81-5.75-10

Shaft 2-8128	\$236.00
Top Packing Washer 2-8137	65.00
Polypak Seal B-1401 Set (2)*	35.20
Teflon Packing B-1399	35.10
Bottom Washer 2-8221	52.60

### Model 68-5.75-15

Shaft 2-8129	\$236.00
Top Packing Washer 2-8138	65.00
Polypak Seal B-1402 Set (2)*	35.20
Teflon Packing B-1400	35.10
Bottom Washer 2-8222	52.60

### Model 50-5.75-30

Shaft 2-8130	\$236.00
Top Packing Washer 2-8139	65.00
Polypak Seal B-1371 Set (2)*	35.20
Teflon Packing B-1066	35.10
Bottom Washer 2-5410	39.10

### Model 37-5.75-60

Shaft 2-4861	\$236.00
Top Packing Washer 2-5853	65.00
Polypak Seal B-1373 Set (2)*	35.20
Teflon Packing B-777 Set (6)	35.10
Bottom Washer 2-4117	17.30

### Model 31-5.75-75

Shaft 2-8749	\$236.00
Top Packing Washer 2-8750	65.00
Polypak Seal B-1418 Set (2)	35.60

### Model 25-5.75-100

Shaft 2-9619	\$492.00
Top Packing Washer 2-8765	65.00
Polypak Seal B-1419 Set (2)	35.60

\* Note: Polypak packing is supplied as standard and requires no bottom packing washer. When Teflon packing is used, a bottom packing washer must be installed.

## Valves Spare Part Kits

### Taper Seal Hand Valves/Check Valves

<b>15-AF1-RK</b>	<b>\$71.90</b>
Stem Assembly 202645	
Top Washer 200267	
Packing B00195	
Bottom Washer 200266	

<b>15-15AF1-RK</b>	<b>\$146.00</b>
Stem Assembly 202645 (2)	
Top Washer 200267 (2)	
Packing B00195 (2)	
Bottom Washer 200266 (2)	

<b>15-AF2-RK</b>	<b>\$72.10</b>
Stem Assembly 202645	
Top Washer 200267	
Packing B00195	
Bottom Washer 200266	

### 15-15AF2-RK \$146.00

Stem Assembly 202645(2)	
Top Washer 200267 (2)	
Packing B00195 (2)	
Bottom Washer 200266 (2)	

### 10-AF4/6-RK \$84.90

Stem Assembly 207461	
Top Washer 200154	
Packing B00181	
Bottom Washer 200156	

### 10-15AF4/6-RK \$171.00

Stem Assembly 207461(2)	
Top Washer 200154 (2)	
Packing B00181 (2)	
Bottom Washer 200156 (2)	

### 15-41AF1/2-RK \$36.50

Ball B00521	
Ball Support 207900	
Spring B00551	
Gasket B00552	

### 15-41AF1T/2T-RK \$48.60

Poppet 202272	
O-Ring (Buna) B00159	
Spring B00551	
Gasket B00552	

### 10-41AF4/6-RK \$36.50

Ball B00521	
Ball Support 207900	
Spring B00551	
Gasket B00552	

### 10-41AF4T/6T-RK \$48.60

Poppet 202272	
O-Ring (Buna) B00159	
Spring B00551	
Gasket B00552	

## Medium Pressure

### Hand Valves

### 20-LF4/6-RK \$81.50

Stem Assembly 207729	
Top Washer 207731	
Packing B01392 (2)	
Bottom Washer 207732	

### 20-LF4R/6R-RK \$121.00

Stem Assembly 207729	
Top Washer 207731	
Packing B01392 (2)	
Bottom Washer 207732	
Lens Ring 208432	

### 20-15LF4/6-RK \$161.00

Stem Assembly 207729 (2)	
Top Washer 207731 (2)	
Packing B01392 (4)	
Bottom Washer 207732 (2)	

**20-LF9-RK** \$64.70  
Stem Assembly 208278

**20-LF9-R-RK** \$111.00  
Stem Assembly 208278  
Lens Ring 200897

**20-15LF9-RK** \$130.00  
Stem Assembly 208278 (2)

**20-LF12-RK** \$124.00  
Lower Stem 208679  
Top Washer 208754  
Packing 208740 (2)  
Bottom Washer 208755

**20-15LF12-RK** \$247.00  
Lower Stem 208679 (2)  
Top Washer 208754 (2)  
Packing 208740 (4)  
Bottom Washer 208755 (2)

**20-12LF12-R-RK** \$172.00  
Lower Stem 208679  
Top Washer 208754  
Packing 208740 (2)  
Bottom Washer 208755  
Lens Ring 209279

**20-LF16-RK** \$161.00  
Lower Stem 208685  
Top Washer 208756  
Packing 208741 (2)  
Bottom Washer 208757

**20-15LF16-RK** \$319.00  
Lower Stem 208685 (2)  
Top Washer 208756 (2)  
Packing 208741 (4)  
Bottom Washer 208757 (2)

**20-12LF16-R-RK** \$221.00  
Lower Stem 208685  
Top Washer 208756  
Packing 208741 (2)  
Bottom Washer 208757  
Lens Ring 209972

---

### Medium Pressure

#### Check Valves

**20-41LF4/6-RK** \$36.50  
Ball B00521  
Ball Support 207900  
Spring B00551  
Gasket B00552

**20-41LF4T/6T-RK** \$48.60  
Poppet 202272  
O-Ring (Buna) B00159  
Spring B00551  
Gasket B00552

**20-41LF9-RK** \$66.40  
Ball B00522  
Ball Support 207901  
Spring B00958  
Gasket B00959

**20-41LF9T-RK** \$66.40  
Poppet 204740  
O-Ring (Buna) B00104  
Spring B00958  
Gasket B00959

**20-41LF12-RK** \$258.00  
Cover 209401  
Ball B01461  
Spring B01439  
Ball Support 209532

**20-41LF12-T-RK** \$299.00  
Cover 209401  
O-Ring B02003  
Spring B01439  
Poppet 209275

**20-41LF16-RK** \$254.00  
Cover 209085-H1150  
Ball B01470  
Spring B01429  
Ball Support 209554

**20-41LF16-T-RK** \$296.00  
Cover 209085-H1150  
O-Ring B01421  
Spring B01429  
Poppet 209086

---

### High Pressure

#### Hand Valves

**30-HF2-RK** \$72.20  
Stem Assembly 202645  
Top Washer 200267  
Packing B00195  
Bottom Washer 200266

**30-15HF2-RK** \$146.00  
Stem Assembly 202645 (2)  
Top Washer 200267 (2)  
Packing B00195 (2)  
Bottom Washer 200266 (2)

---

### High Pressure

#### Hand Valves - Old Style

**30-HF4/6/9-RK-X** \$94.90  
Stem Assembly 207462  
Top Washer 200154  
Packing B00181  
Bottom Washer 200156  
Bottom Spacer 200155

**30-HF4/6/9R-RK-X** \$135.00  
Stem Assembly 207462  
Top Washer 200154  
Packing B00181  
Bottom Washer 200156  
Bottom Spacer 200155  
Lens Ring 200753

**30-15HF4/6/9-RK-X** \$191.00  
Stem Assembly 207462 (2)  
Top Washer 200154 (2)  
Packing B00181 (2)  
Bottom Washer 200156 (2)  
Bottom Spacer 200155 (2)

**60-HF2/4/6/9-RK-X** \$113.00  
Stem Assembly 207463  
Top Washer 200717  
Packing Set 209689  
Bottom Washer 200716

**60-HF2/4/6/9R-RK-X** \$151.00  
Stem Assembly 207463  
Top Washer 200717  
Packing Set 209689  
Bottom Washer 200716  
Lens Ring 201238

**60-15HF2/4/6/9-RK-X** \$225.00  
Stem Assembly 207463 (2)  
Top Washer 200717 (2)  
Packing Set 209689 (2)  
Bottom Washer 200716 (2)

---

### High Pressure

#### 30,000 / 60,000 PSI Hand Valves -

**30-HF4/6/9-RK** \$62.00  
Lower Stem 213910  
Top Washer 200154  
Packing B00181  
Bottom Washer 200156  
Bottom Spacer 200155

**30-HF4/6/9R-RK** \$85.30  
Lower Stem 213910  
Top Washer 200154  
Packing B00181  
Bottom Washer 200156  
Bottom Spacer 200155  
Lens Ring 200753

**30-15HF4/6/9-RK** \$126.00  
Lower Stem 213910 (2)  
Top Washer 200154 (2)  
Packing B00181 (2)  
Bottom Washer 200156 (2)  
Bottom Spacer 200155 (2)





# High Pressure Equipment

**60-HF2/4/6/9-RK \$73.10**

Lower Stem 213911  
 Top Washer 200717  
 Packing Set 214089  
 Bottom Washer 200716

**60-HF2/4/6/9R-RK \$97.50**

Lower Stem 213911  
 Top Washer 200717  
 Packing Set 214089  
 Bottom Washer 200716  
 Lens Ring 201238

**60-15HF2/4/6/9-RK \$146.00**

Lower Stem 213911 (2)  
 Top Washer 200717 (2)  
 Packing Set 214089 (2)  
 Bottom Washer 200716 (2)

**High Pressure****30,000 PSI Check Valves****30-41HF2/4/6/9T-RK \$30.80**

Poppet 202272  
 O-Ring (Buna) B00159  
 Spring B00551  
 Gasket B00552

**High Pressure****60,000 PSI Check Valves****60-41HF2/4/6/9-RK \$30.80**

Ball B00516  
 Ball Support 207900  
 Spring B00551

**60-41HF4/6/9T-RK \$48.60**

Poppet 202272  
 O-Ring (Buna) B00159  
 Spring B00551  
 Gasket B00310

**Ultra High Pressure****Manual Valves****100-XF4/150-XF6-RK \$164.00**

Stem Assembly 210127  
 Top Washer 402485C  
 Packing 208691 (3)  
 Bottom Washer 200716

**100-15XF4-RK \$324.00**

Stem Assembly 210127 (2)  
 Top Washer 402485C (2)  
 Packing 208691 (6)  
 Bottom Washer 200716 (2)

**150-15XF6-RK \$324.00**

Stem Assembly 210127 (2)  
 Top Washer 402485C (2)  
 Packing 208691 (6)  
 Bottom Washer 200716 (2)

**100-12XF4-R-RK \$200.00**

Stem Assembly 210127  
 Top Washer 402485C  
 Packing 208691 (3)  
 Bottom Washer 200716  
 Lens Ring 205434

**150-12XF6-R-RK \$200.00**

Stem Assembly 210127  
 Top Washer 402485C  
 Packing 208691 (3)  
 Bottom Washer 200716  
 Lens Ring 205434

**Ball Valves****Trunion Ball Valves .187 2-Way****20-71BV-RK \$158.00**

O-Ring B01117 (3)  
 Back-up Ring B01578  
 Ball Seat Assembly 210233 (2)  
 Packing Washer 210234 (2)  
 Back-up Washer 210286 (4)  
 Trunion 210598  
 O-Ring B00823 (2)  
 O-Ring B01032

**Trunion Ball Valves .187 3-Way 90°****20-73BV-RK \$158.00**

O-Ring B01117 (3)  
 Back-up Ring B01578  
 Ball Seat Assembly 210233 (2)  
 Packing Washer 210234 (2)  
 Back-up Washer 210286 (4)  
 Trunion 210360  
 O-Ring B00823 (2)  
 O-Ring B01032

**Trunion Ball Valves .375 2-Way****15-74BV-RK \$203.00**

O-Ring B01117  
 Back-up Ring B01578  
 Ball Seat Assembly 210220 (2)  
 Packing Washer 210223 (2)  
 Back-up Washer 210288 (4)  
 Trunion 210599  
 O-Ring B01584 (2)  
 O-Ring B01583  
 O-Ring B00809 (2)

**Trunion Ball Valves .375 3-Way 90°****15-76BV-RK \$203.00**

O-Ring B01117  
 Back-up Ring B01578  
 Ball Seat Assembly 210220 (2)  
 Packing Washer 210223 (2)  
 Back-up Washer 210288 (4)

Trunion 210359  
 O-Ring B01584 (2)  
 O-Ring B01583  
 O-Ring B00809 (2)

**Trunion Ball Valves .500 2-Way****10-80BV-RK \$334.00**

O-Ring B01101  
 Back-up Ring B01790  
 Ball Seat Assembly 211096 (2)  
 Packing Washer 211103 (2)  
 Back-up Washer 211105 (4)  
 Trunion 211097  
 O-Ring B01893 (3)  
 O-Ring B01340 (2)

**Trunion Ball Valves .500 3-Way 90°****10-82BV-RK \$356.00**

O-Ring B01101  
 Back-up Ring B01790  
 Ball Seat Assembly 211096 (2)  
 Packing Washer 211103 (2)  
 Back-up Washer 211105 (4)  
 Trunion 211676  
 O-Ring B01893 (3)  
 O-Ring B01340 (2)

**Trunion Ball Valves .187 3-Way 180°****20-72BV-RK \$158.00**

O-Ring B01117 (3)  
 Back-up Ring B01578  
 Ball Seat Assembly 210233 (2)  
 Packing Washer 210234 (2)  
 Back-up Washer 210286 (4)  
 Trunion 210235  
 O-Ring B00823 (2)  
 O-Ring B01032

**Trunion Ball Valves .375 3-Way 180°****15-75BV-RK \$203.00**

O-Ring B01117  
 Back-up Ring B01578  
 Ball Seat Assembly 210220 (2)  
 Packing Washer 210223 (2)  
 Back-up Washer 210288 (4)  
 Trunion 210224  
 O-Ring B01584 (2)  
 O-Ring B01583  
 O-Ring B00809 (2)

**Trunion Ball Valves .500 3-Way 180°****10-81BV-RK \$356.00**

O-Ring B01101  
 Back-up Ring B01790

*See top of next column for more options*



Ball Seat Assembly 211096 (2)  
Packing Washer 211103 (2)  
Back-up Washer 211105 (4)  
Trunion 211675  
O-Ring B01893 (3)  
O-Ring B01340 (2)

**Free-Floating Ball Valves**  
**10/15/2016BV-RK**                 **\$126.00**  
O-Ring B00821 (2)  
Stem 208644  
Top Packing Washer 207731-AM45  
Packing B01392 (2)  
Bottom Packing Washer 207732  
Bearing Washer  
208646  
Ball 208647  
Ball Seat 208648 (2)

**Relief Valves/Factory Set**  
**402633-03-RK**                 **\$102.00**  
O-Ring B00821  
Stem Seat 208554  
Seal Ring 208547

**402633-10-RK**                 **\$102.00**  
O-Ring B00821  
Stem Seat 208554  
Seal Ring 208547

**402633-20-RK**                 **\$102.00**  
O-Ring B00821  
Stem Seat 208554  
Seal Ring 208537

**402633-30-RK**                 **\$102.00**  
O-Ring B00821  
Stem Seat 208554  
Seal Ring 208548

**402633-45-RK**                 **\$102.00**  
O-Ring B00821  
Stem Seat 208554  
Seal Ring 210857

**402633-60-RK**                 **\$102.00**  
O-Ring B00821  
Stem Seat 208554  
Seal Ring 210858

**Relief Valves/  
Field Adjustable**  
**HIP10RV-RK**                 **\$67.10**  
O-Ring B01635  
Nylon Seat 210368  
Spring B01622  
Washer 210365  
O-Ring B01619  
Packing 210451  
Washer 210450

**HIP20RV-RK**                     **\$67.10**  
O-Ring B01635  
Nylon Seat 210368  
Spring B01622  
Washer 210365  
O-Ring B01619  
Packing 210451  
Washer 210450

**MINI HIPPO  
Air Operated Valves**  
**MH-AF2-RK**                     **\$94.20**  
Stem 209426  
Top Washer 200717  
Packing B00195  
Bottom Washer 200716

**MH-AF4/6-RK**                 **\$94.20**  
Stem 207624  
Top Washer 200154  
Packing B00181  
Bottom Washer 200156

**MH-HF4/6/9-RK**             **\$94.20**  
Stem 207622  
Top Washer 200154  
Packing B00181  
Bottom Washer 200156  
Bottom Spacer 200155

**HIPCO Air Operated  
Valves**  
**HIPCO-AF4/6-RK**             **\$113.00**  
Stem 207624  
Top Washer 200154  
Packing B00181  
Bottom Washer 200156  
Diaphragm B01356

**HIPCO-LF4/6-RK**             **\$124.00**  
Stem 208215  
Top Washer 207731  
Packing B01392 (2)  
Bottom Washer 207732  
Diaphragm B01356

**HIPCO-LF4R/6R-RK**         **\$158.00**  
Stem 208215  
Top Washer 207731  
Packing B01392 (2)  
Bottom Washer 207732  
Diaphragm B01356  
Lens Ring 208432

**HIPCO-LF9-RK**                 **\$94.70**  
Lower Stem 207467  
Stem Pin 207983  
Top Washer 207738  
Packing Set 207341 (2)  
Bottom Washer 207342  
Diaphragm B01356

**HIPCO-LF9R-RK**                 **\$128.00**  
Lower Stem 207467  
Stem Pin 207983  
Top Washer 207738  
Packing Set 207341 (2)  
Bottom Washer 207342  
Diaphragm B01356  
Lens Ring 200897

**HIPCO-30-RK**                     **\$117.00**  
Stem 207622  
Top Washer 200154  
Packing B00181  
Bottom Washer 200156  
Bottom Spacer 200155  
Diaphragm B01356

**HIPCO-30R-RK**                 **\$150.00**  
Stem 207622  
Top Washer 200154  
Packing B00181  
Bottom Washer 200156  
Bottom Spacer 200155  
Diaphragm B01356  
Lens Ring 200753

**HIPCO-60-RK**                     **\$130.00**  
Stem 209426  
Top Washer 200717  
Packing Set 214089  
Bottom Washer 200716  
Diaphragm B01356

**HIPCO-60R-RK**                 **\$164.00**  
Stem 209426  
Top Washer 200717  
Packing Set 214089  
Bottom Washer 200716  
Diaphragm B01356  
Lens Ring 201238

**HIPPO Air Operated  
Valves (MPO & HPO)**  
**HIPPO-AF4/6-RK**             **\$94.20**  
Stem 212033  
Top Washer 200154  
Packing B00181  
Bottom Washer 200156

**HIPPO-LF4/6-RK**                 **\$109.00**  
Stem 211536  
Top Washer 207731  
Packing B01392 (2)  
Bottom Washer 207732

**HIPPO-LF4R/6R-RK**         **\$143.00**  
Stem 211536  
Top Washer 207731  
Packing B01392 (2)  
Bottom Washer 207732  
Lens Ring 208432



# High Pressure Equipment

**HIPPO-LF9-RK** \$77.90  
 Lower Stem 207467  
 Stem Pin 207983  
 Top Washer 207738  
 Packing Set 207341 (2)  
 Bottom Washer 207342

**HIPPO-LF9R-RK** \$112.00  
 Lower Stem 207467  
 Stem Pin 207983  
 Top Washer 207738  
 Packing Set 207341 (2)  
 Bottom Washer 207342  
 Lens Ring 200897

**HIPPO-30-RK** \$99.20  
 Stem 211527  
 Top Washer 200154  
 Packing B00181  
 Bottom Washer 200156  
 Bottom Spacer 200155

**HIPPO-30R-RK** \$133.00  
 Stem 211527  
 Top Washer 200154  
 Packing B00181  
 Bottom Washer 200156  
 Bottom Spacer 200155  
 Lens Ring 200753

**HIPPO-60-RK** \$157.00  
 Stem 211539  
 Top Washer 200717  
 Packing Set 214089  
 Bottom Washer 200716

**HIPPO-60R-RK** \$189.00  
 Stem 211539  
 Top Washer 200717  
 Packing Set 214089  
 Bottom Washer 200716  
 Lens Ring 201238

## NPT Hand Valves

**10-NFA/B/C-RK** \$89.10  
 Stem Assembly 207462  
 Top Washer 200154  
 Packing B00181  
 Bottom Washer 200156  
 Bottom Spacer 200155

**10-NFD-RK** \$139.00  
 Stem 203976  
 Top Washer 203524  
 Packing B00185 (2)  
 Bottom Washer 201764

**15FNFA/B-RK** \$76.60  
 Stem 207729  
 Top Washer 207731  
 Packing B01392 (2)  
 Bottom Washer 207732

**15FNFC/D-RK** \$60.70  
 Stem Assembly 208278

**10FNFF/H-RK** \$151.00  
 Lower Stem 208685  
 Top Washer 208756  
 Packing 208741 (2)  
 Bottom Washer 208757

## HIPCO NPT Air Operated Valves

**HIPCO10NFA-RK** \$113.00  
 Stem 207622  
 Top Washer 200154  
 Packing B00181  
 Bottom Washer 200156  
 Diaphragm B01356

**HIPCO10NFB-RK** \$113.00  
 Stem 207622  
 Top Washer 200154  
 Packing B00181  
 Bottom Washer 200156  
 Diaphragm B01356

**HIPCO10NFC-RK** \$113.00  
 Stem 207622  
 Top Washer 200154  
 Packing B00181  
 Bottom Washer 200156  
 Diaphragm B01356

**HIPCO15FNFA/B-RK** \$124.00  
 Stem 208215  
 Top Washer 207731  
 Packing B01392 (2)  
 Bottom Washer 207732  
 Diaphragm B01356

**HIPCO15FNFC/D-RK** \$94.70  
 Lower Stem 207467  
 Stem Pin 207983  
 Top Washer 207738  
 Packing Set 207341 (2)  
 Bottom Washer 207342  
 Diaphragm B01356

## HIPPO NPT Air Operated Valves (MPO & HPO)

**HIPPO-15FNFA/B-RK** \$109.00  
 Stem 211536

Top Washer 207731  
 Packing B01392 (2)  
 Bottom Washer 207732

**HIPPO-15FNFC/D-RK** \$77.90  
 Lower Stem 207467  
 Stem Pin 207983  
 Top Washer 207738  
 Packing Set 207341 (2)  
 Bottom Washer 207342



## High Pressure Equipment Company

P.O. Box 8248, 2955 West 17th Street,  
 Ste. 6, Erie, Pennsylvania 16505  
 U.S.A.

Phone: (814) 838-2028 • 1-800-289-7447

Fax: (814) 838-6075

E-Mail: sales@highpressure.com

Web Site: www.highpressure.com

### High Pressure Equipment Company

reserves the right to alter the prices provided in this publication without prior notice.

© 2017+A38 High Pressure Equipment Company  
 Domestic Price List

1/17